

D

300 TYPE

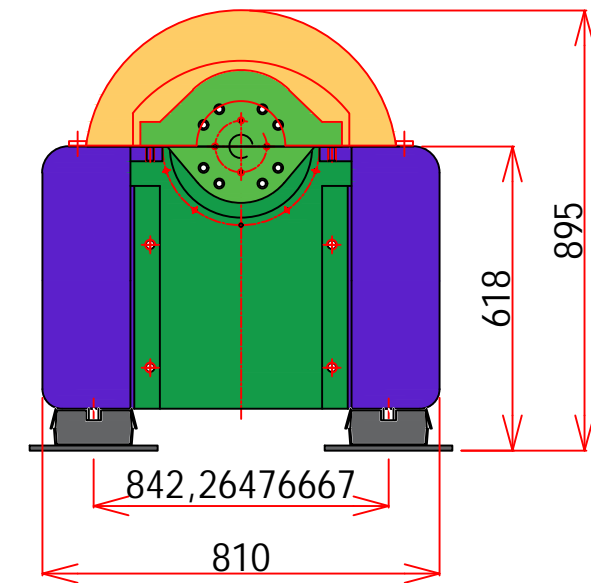
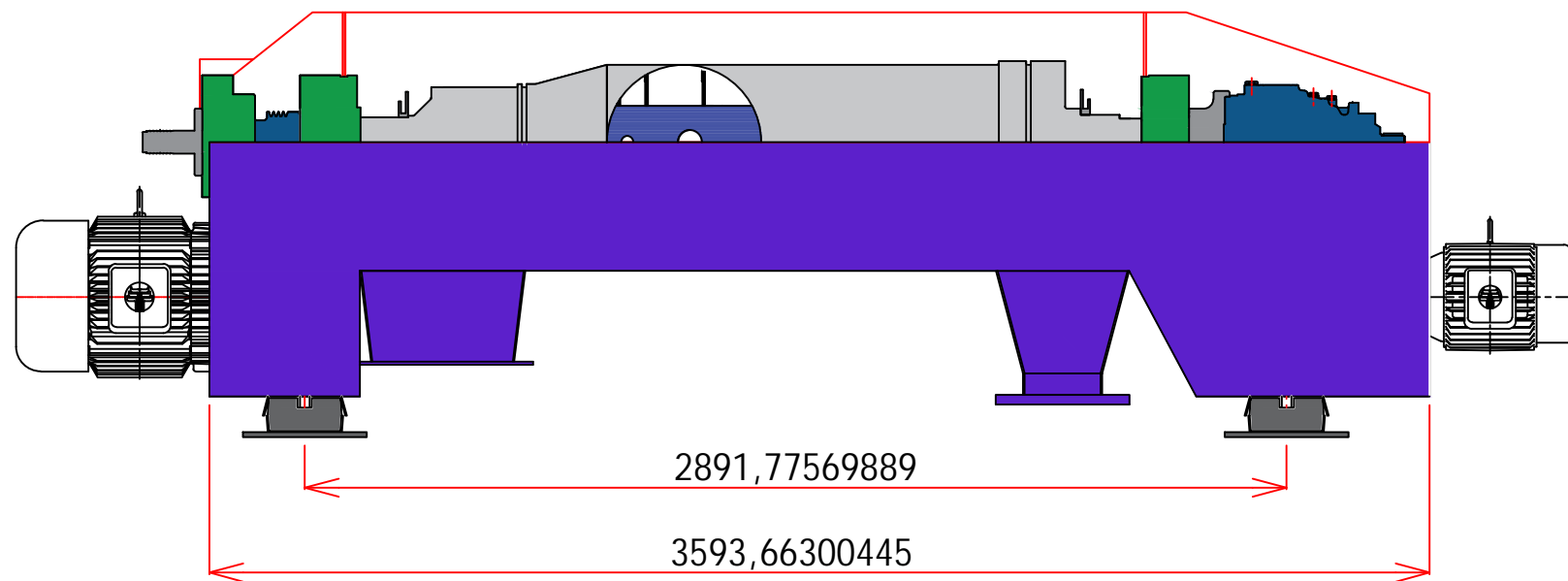
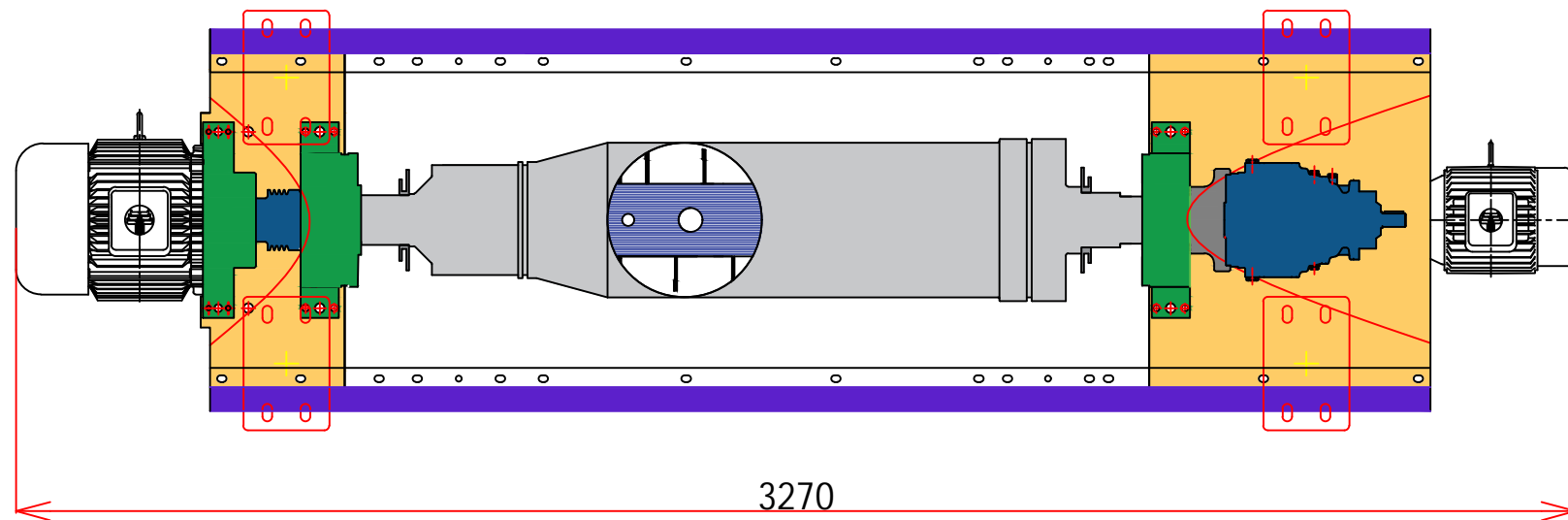
LAPUTA - *Dolphin*

For clean Aqua
Perfect, Research for sludge
Pleasant Our World, Korea



Screw-Decanter Centrifuge Dewatering Machine

D 300 TYPE

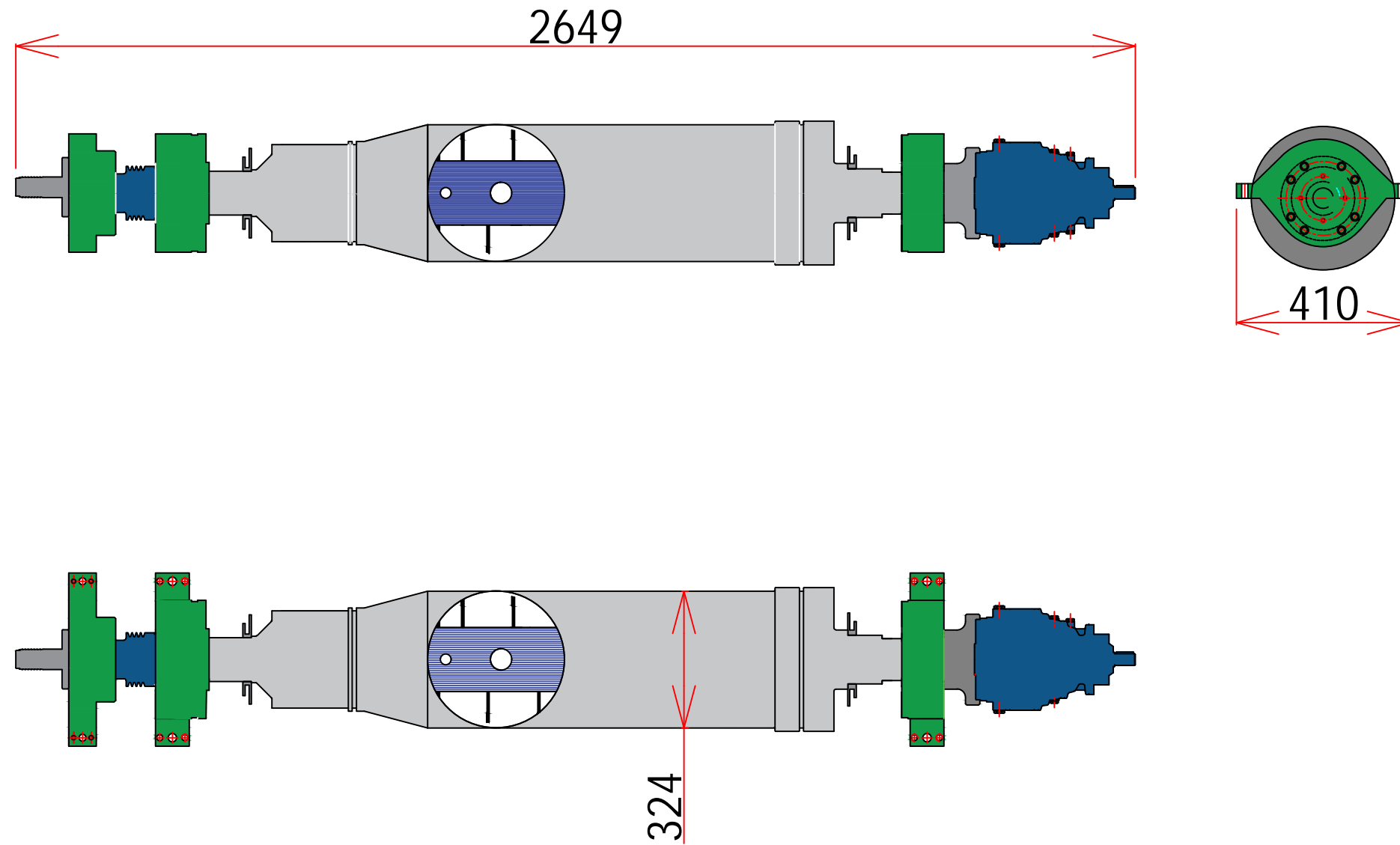


Add: 1 Dong 230-17, Eunhaengnamu-ro,
Yanggam-myeon, Hwaseong-si,
Gyeonggi-do, 18633, Korea
Tell: +82 2561 9959

Designed By:	Drawing By:	Checker By:	Scale: None	Date:
Project: Decanter-300	Title: Assembly		Sheet: Drawing No:	

Screw-Decanter

D 300 TYPE



KOREA

Email: - Sludge21@Gmail.com

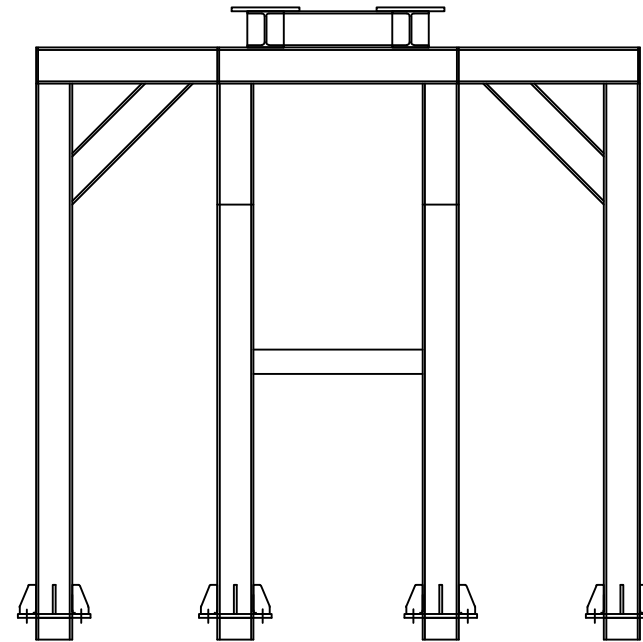
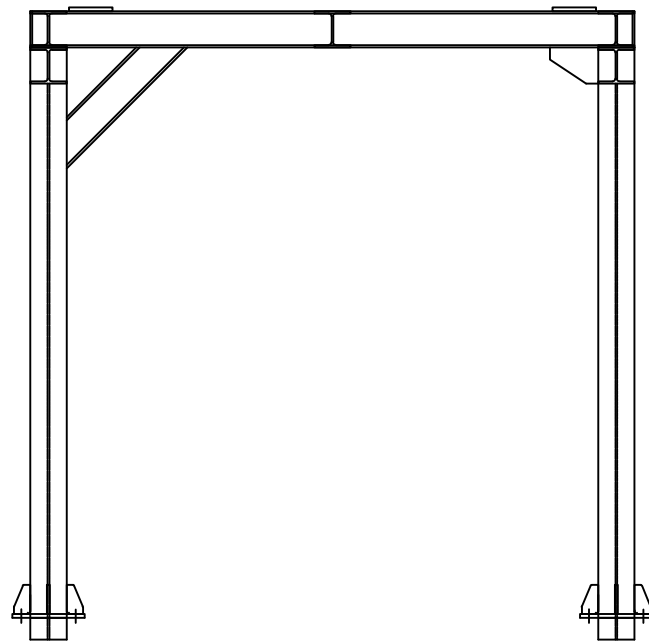
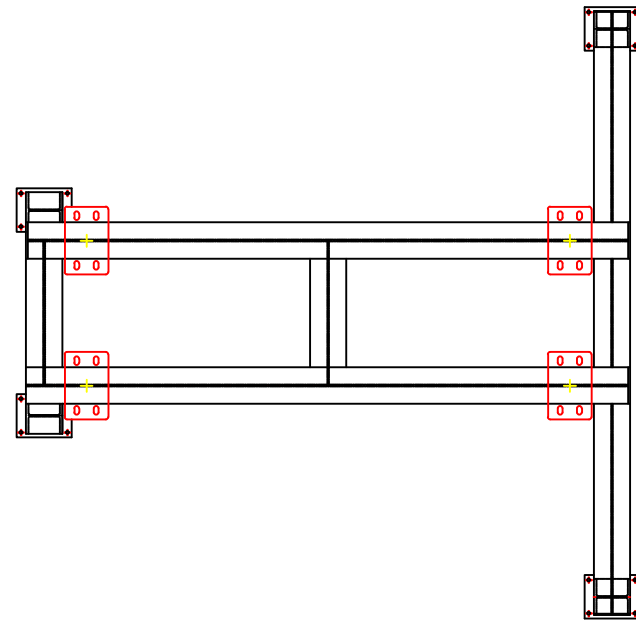
Add: 1 Dong 230-17, Eunhaengnamu-ro,
Yanggam-myeon, Hwaseong-si,
Gyeonggi-do, 18633, Korea

Tell: +82 2561 9959

Designed By:	Drawing By:	Checker By:	Scale: None	Date:
Project: Decanter-300		Title: Screw Decanter		Sheet:
				Drawing No:

PLATFORM DRAWING

D 300 TYPE



KOREA

Email: - Sludge21@Gmail.com

Add: 1 Dong 230-17, Eunhaengnamu-ro,
Yanggam-myeon, Hwaseong-si,
Gyeonggi-do, 18633, Korea

Tell: +82 2561 9959

Designed By:

Drawing By:

Checker By:

Scale:
None

Date:

Project:

Decanter-300

Title:

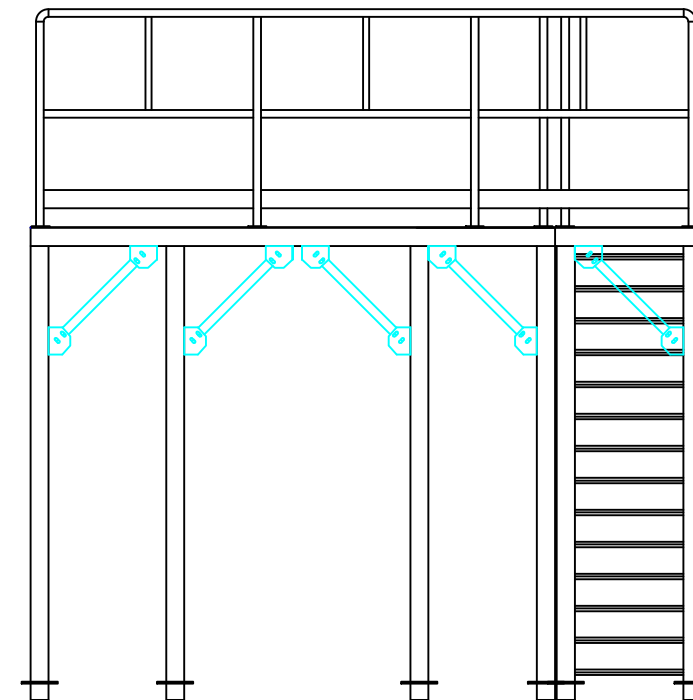
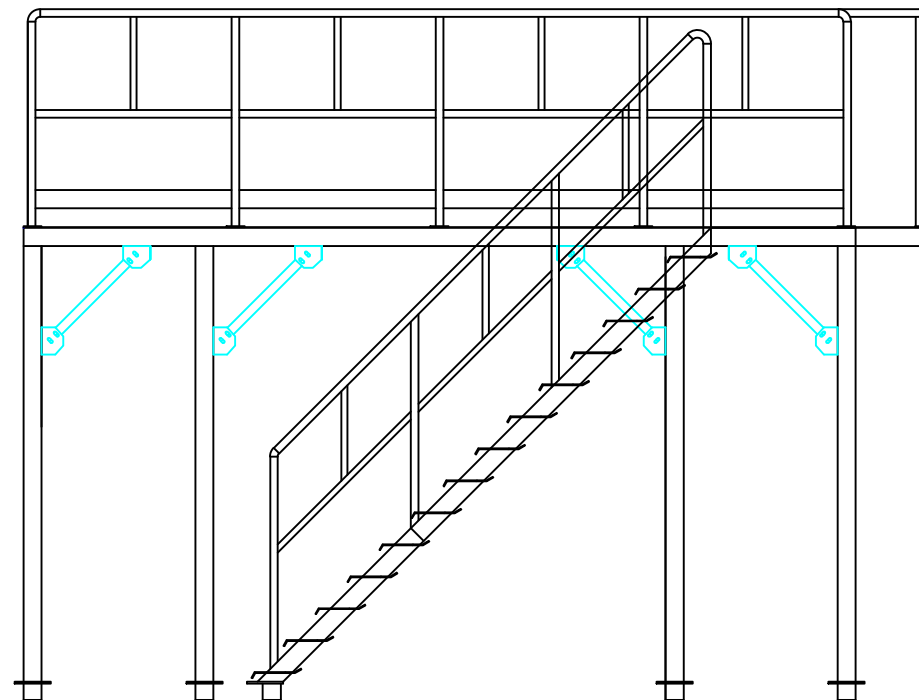
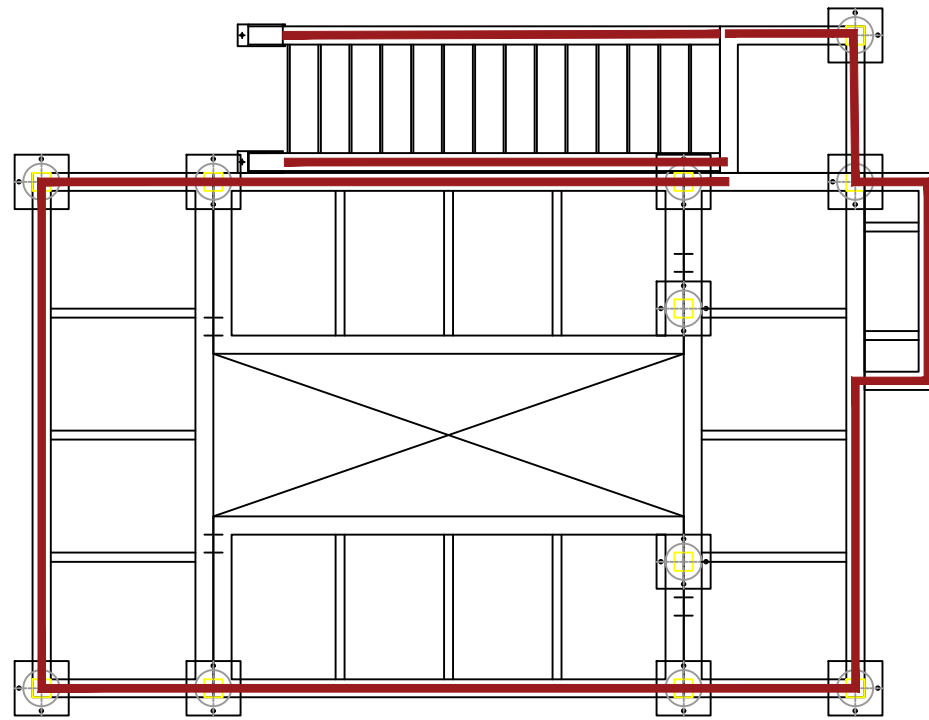
Platform

Sheet:

Drawing No:

WALKWAY DRAWING

D 300 TYPE

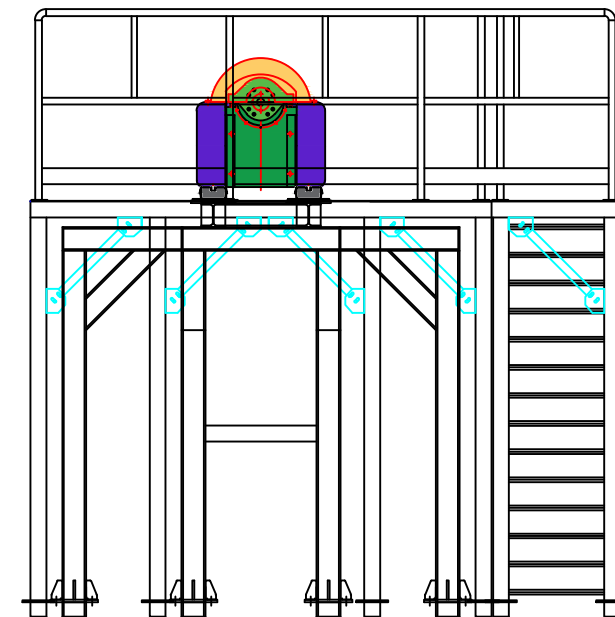
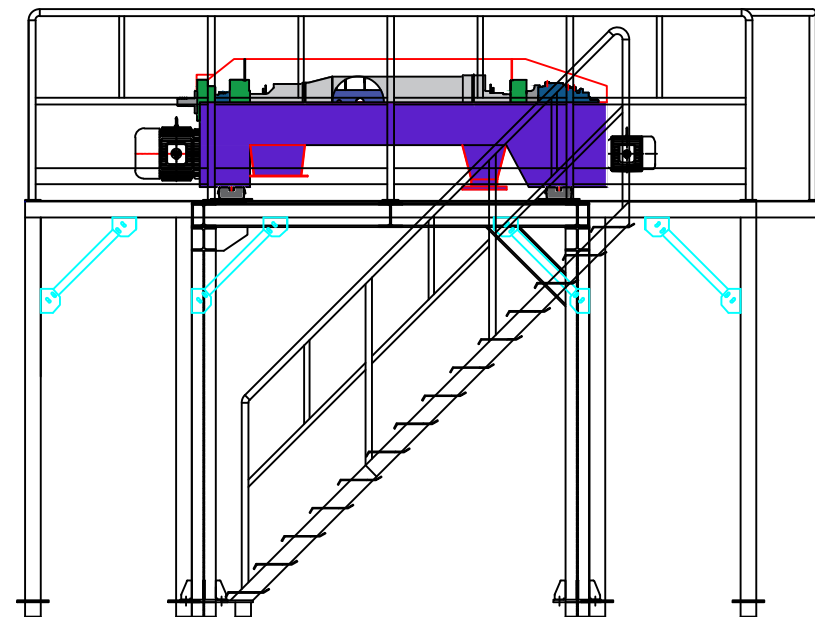
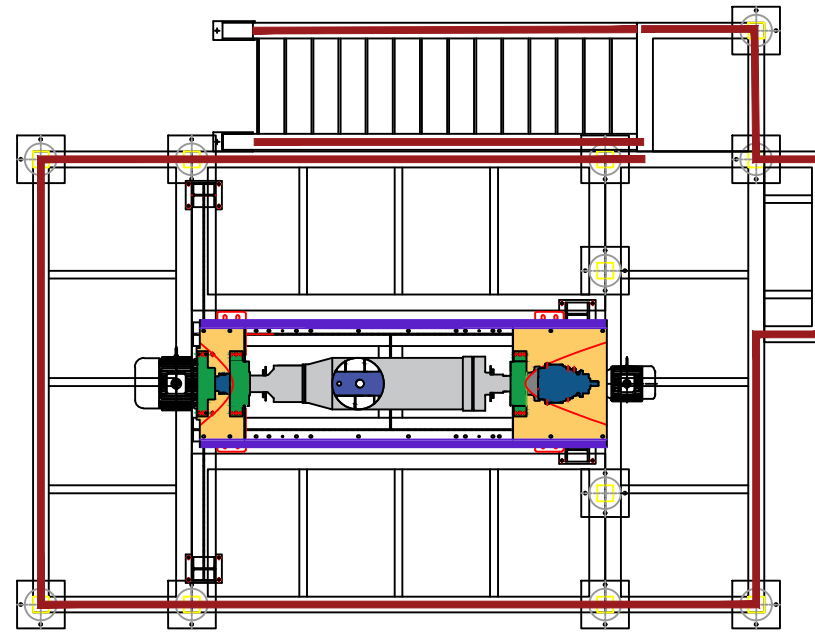


Add: 1 Dong 230-17, Eunhaengnamu-ro,
Yanggam-myeon, Hwaseong-si,
Gyeonggi-do, 18633, Korea
Tell: +82 2561 9959

Designed By:	Drawing By:	Checker By:	Scale: None	Date:
Project: Decanter-300		Title: Walkway		Sheet:
				Drawing No:

Dewatering Machine

D 300 TYPE

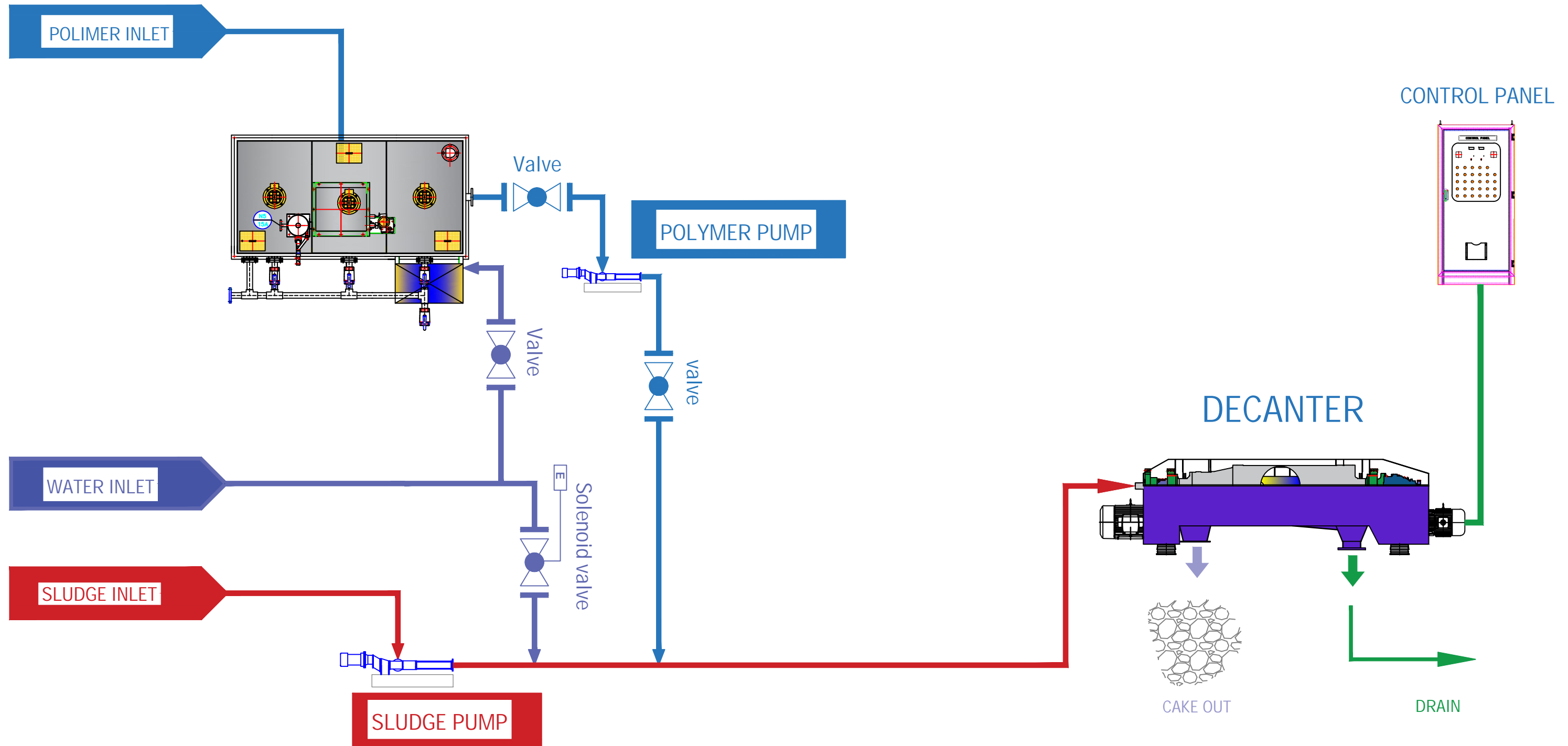


Add: 1 Dong 230-17, Eunhaengnamu-ro,
Yanggam-myeon, Hwaseong-si,
Gyeonggi-do, 18633, Korea
Tell: +82 2561 9959

Designed By:	Drawing By:	Checker By:	Scale: None	Date:
Project: Decanter-300		Title: Assembly	Sheet:	
				Drawing No:

Process chart-single-line piping layout

D 300 TYPE



KOREA

Email: - Sludge21@Gmail.com

Add: 1 Dong 230-17, Eunhaengnamu-ro,
Yanggam-myeon, Hwaseong-si,
Gyeonggi-do, 18633, Korea

Tell: +82 2561 9959

Designed By:	Drawing By:	Checker By:	Scale: None	Date:
Project: Decanter-300		Title: P&ID		Sheet:
				Drawing No: