

D

350 TYPE

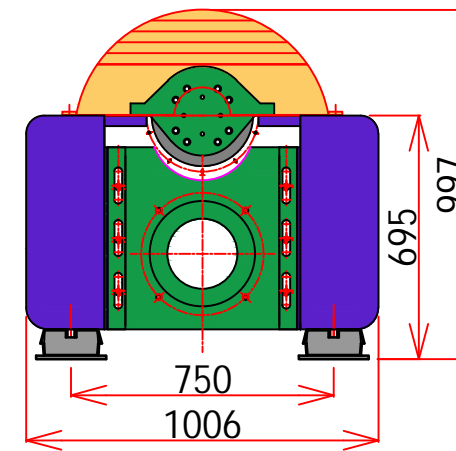
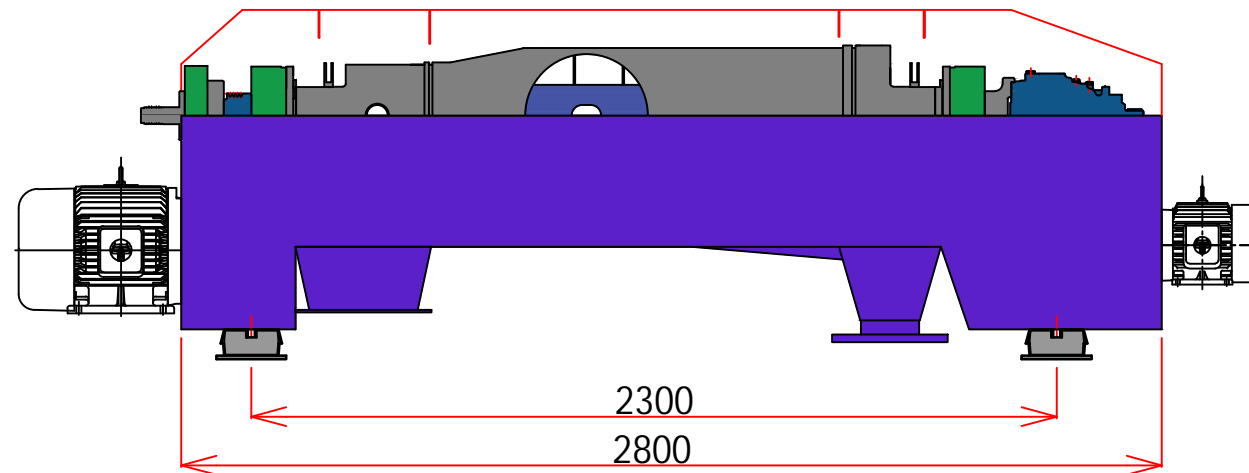
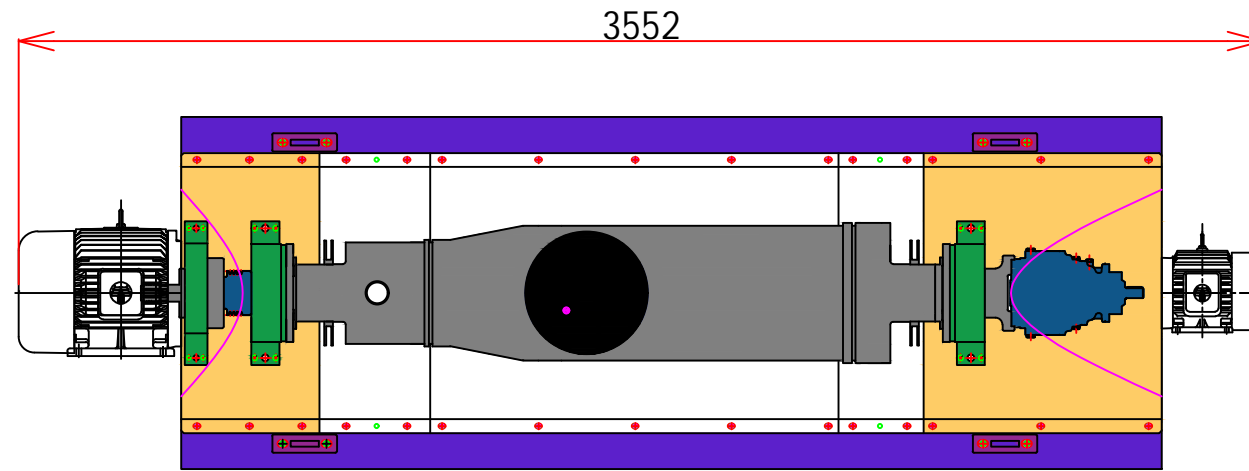
LAPUTA - *Dolphin*

For clean **A**qua
Perfect, **R**esearch for sludge
Pleasant Our World, **K**orea



Screw-Decanter Centrifuge Dewatering Machine

D 350 TYPE

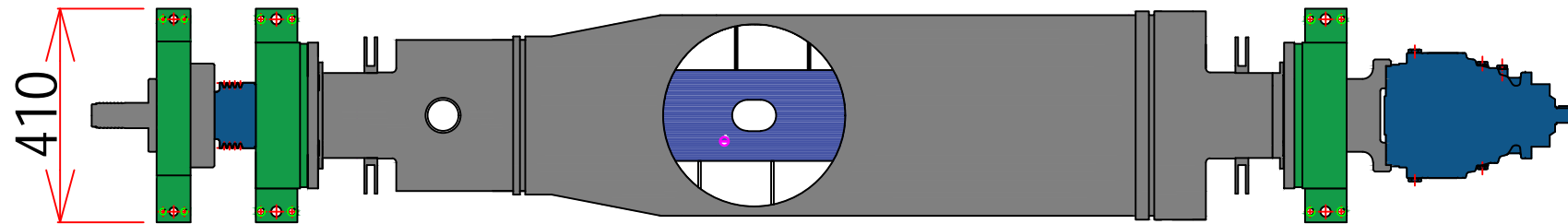
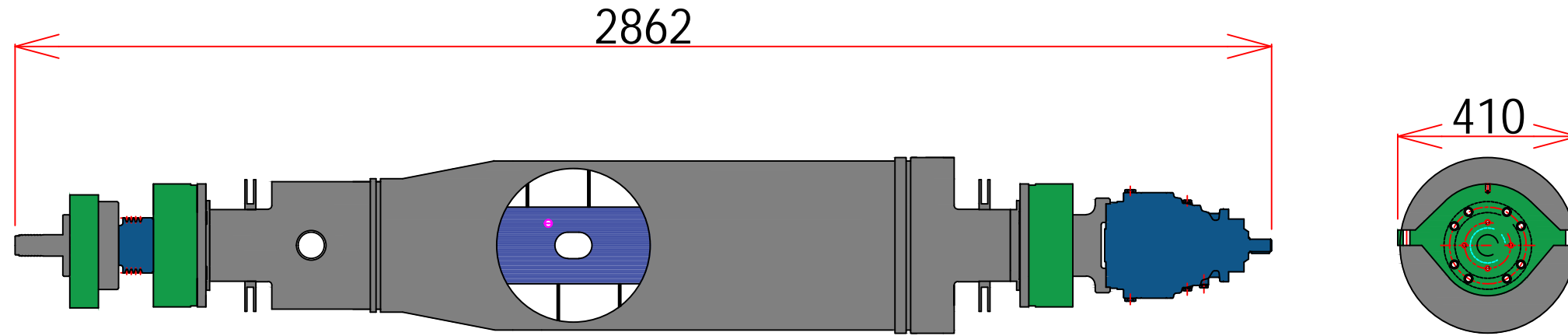


Add: 1 Dong 230-17, Eunhaengnamu-ro,
Yanggam-myeon, Hwaseong-si,
Gyeonggi-do, 18633, Korea
Tell: +82 2561 9959

Designed By:	Drawing By:	Checker By:	Scale: None	Date:
Project: Decanter-350		Title: Assembly		Sheet:
				Drawing No:

Screw-Decanter

D 350 TYPE

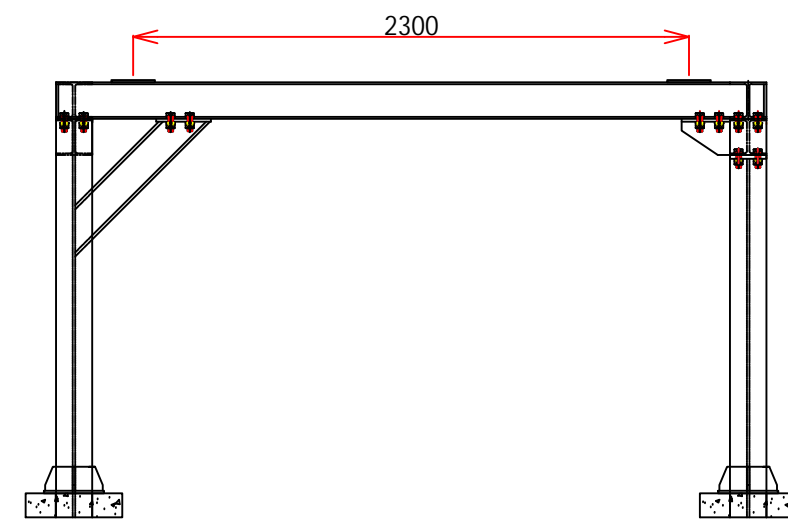
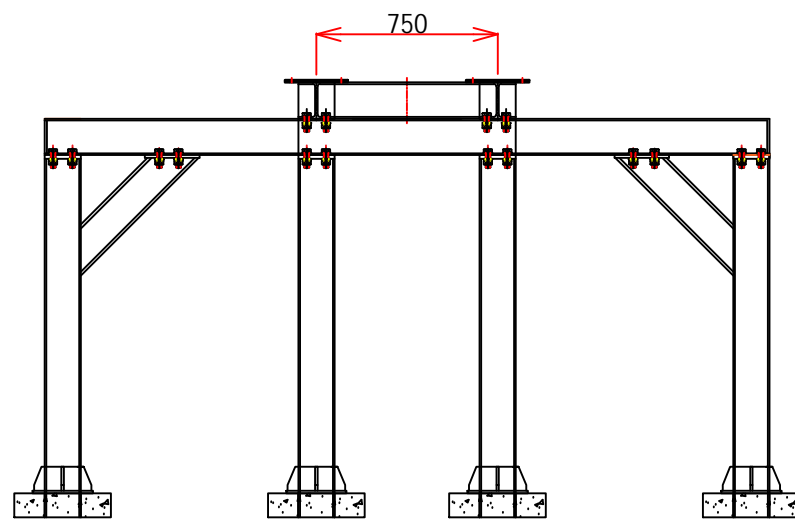
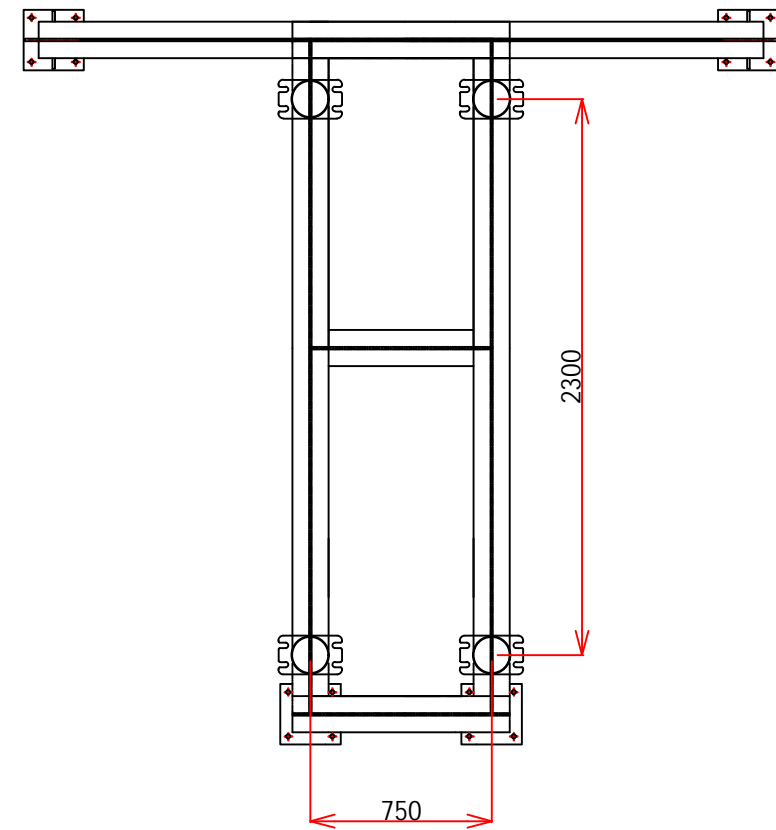


Add: 1 Dong 230-17, Eunhaengnamu-ro,
Yanggam-myeon, Hwaseong-si,
Gyeonggi-do, 18633, Korea
Tell: +82 2561 9959

Designed By:	Drawing By:	Checker By:	Scale: None	Date:
Project: Decanter-350		Title: Screw Decanter		Sheet:
				Drawing No:

PLATFORM DRAWING

D 350 TYPE



KOREA

Email: - Sludge21@Gmail.com

Add: 1 Dong 230-17, Eunhaengnamu-ro,
Yanggam-myeon, Hwaseong-si,
Gyeonggi-do, 18633, Korea

Tell: +82 2561 9959

Designed By:

Drawing By:

Checker By:

Scale:

None

Date:

Project:

Decanter-350

Title:

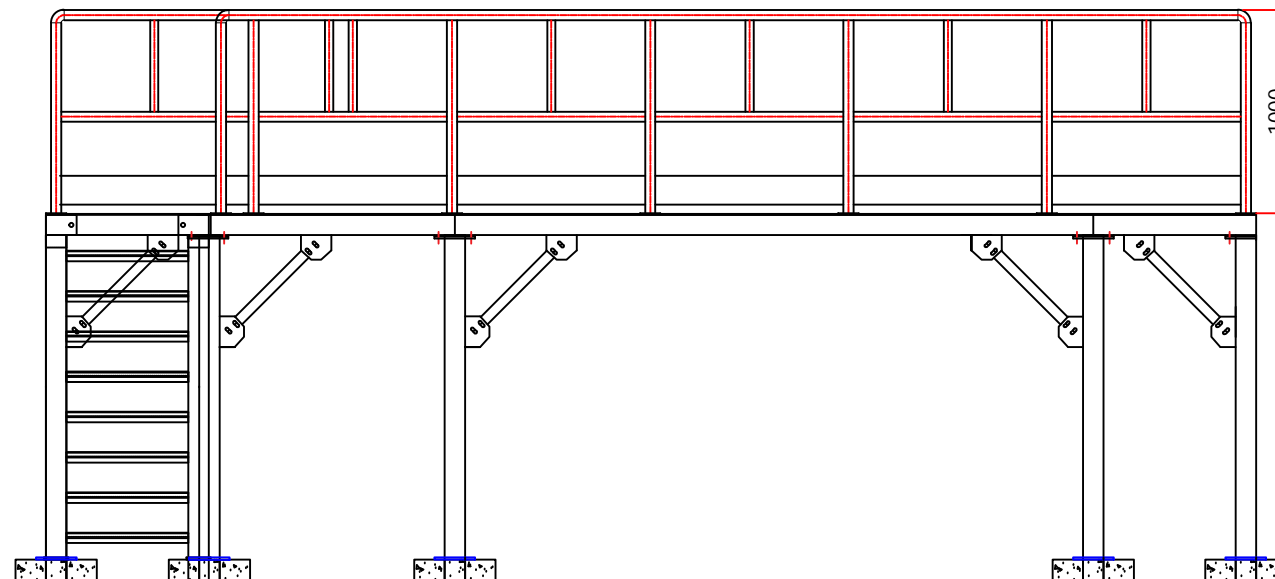
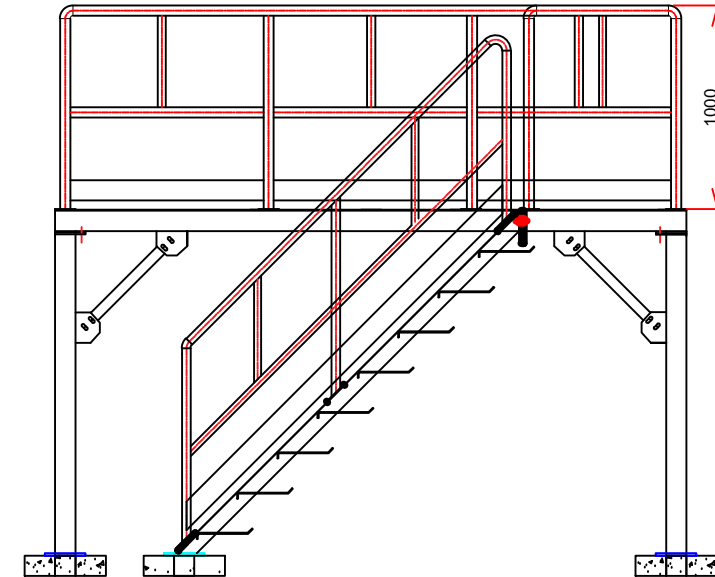
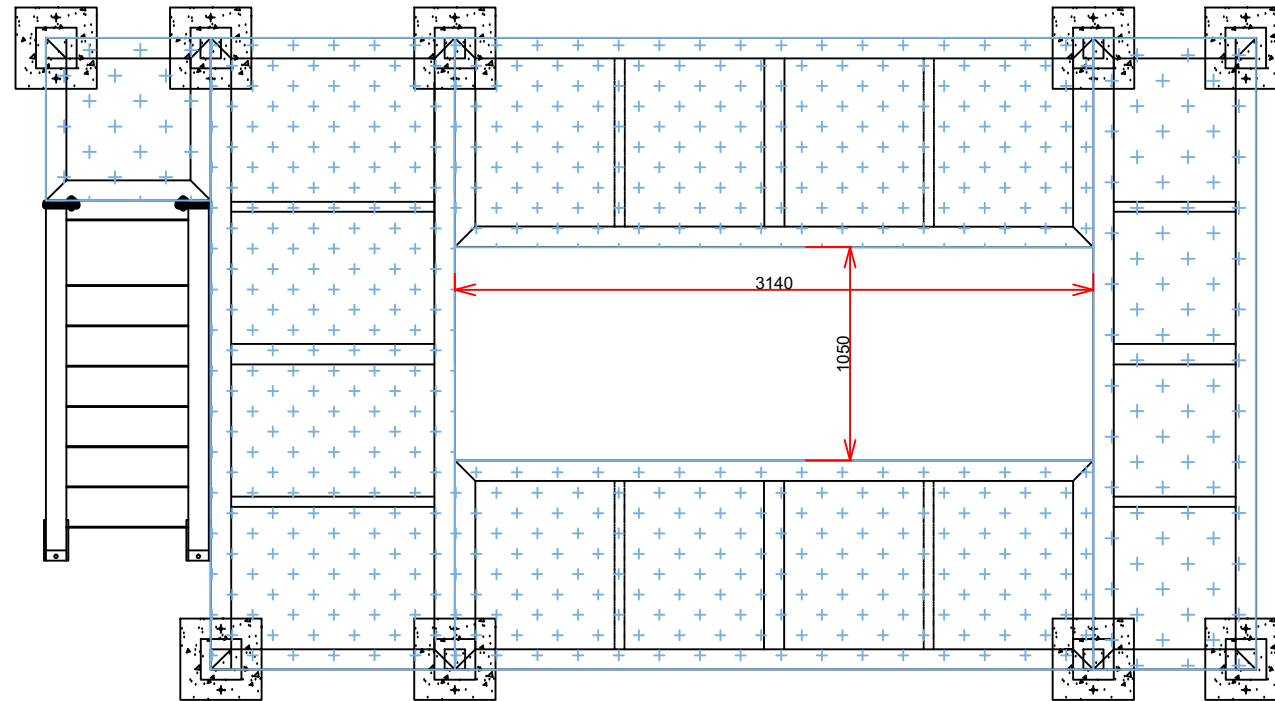
Platform

Sheet:

Drawing No:

WALKWAY DRAWING

D 350 TYPE



KOREA

Email: - Sludge21@Gmail.com

Add: 1 Dong 230-17, Eunhaengnamu-ro,
Yanggam-myeon, Hwaseong-si,
Gyeonggi-do, 18633, Korea

Tell: +82 2561 9959

Designed By:

Drawing By:

Checker By:

Scale:

None

Date:

Project:

Decanter-350

Title:

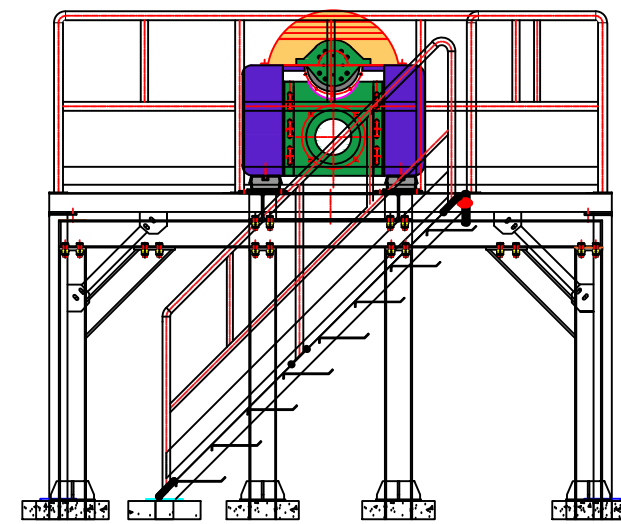
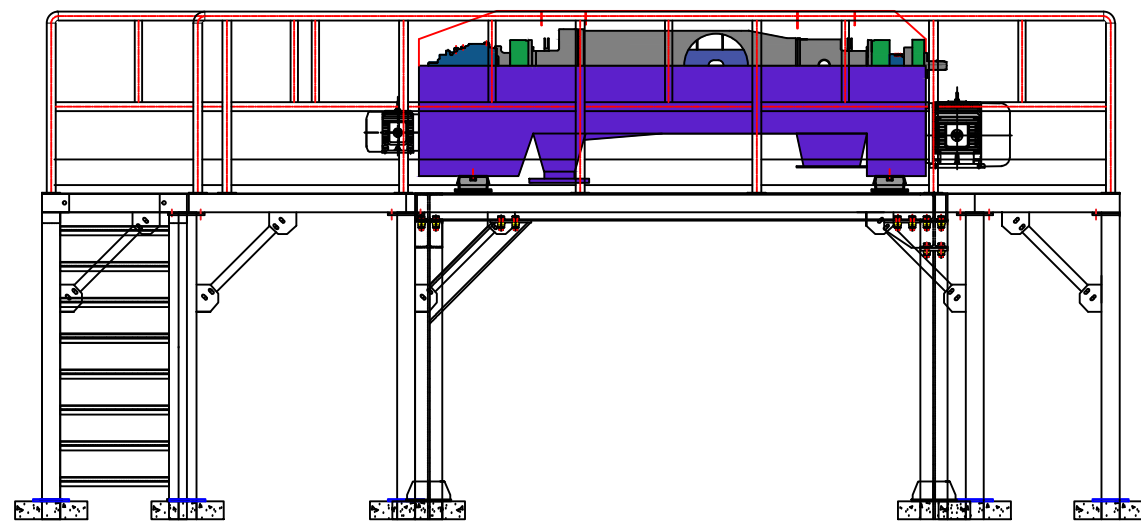
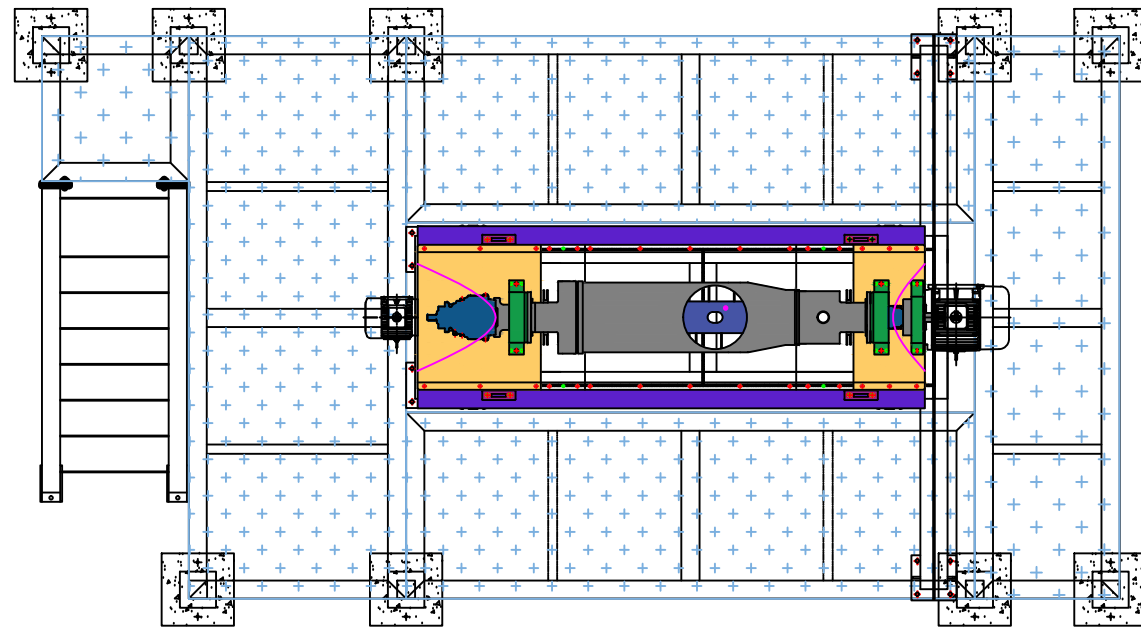
Walkway

Sheet:

Drawing No:

Dewatering Machine

D 350 TYPE

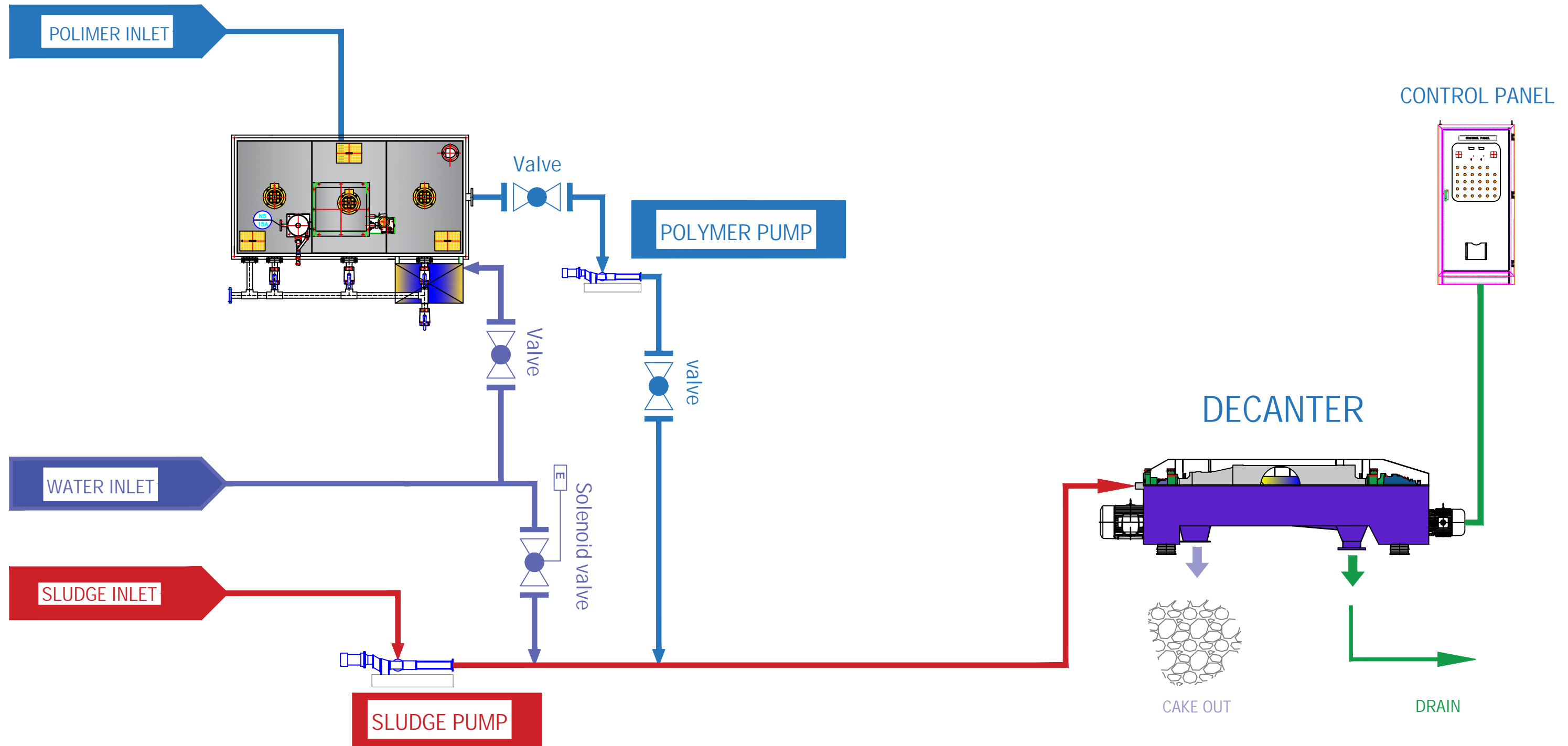


Add: 1 Dong 230-17, Eunhaengnamu-ro,
 Yanggam-myeon, Hwaseong-si,
 Gyeonggi-do, 18633, Korea
 Tell: +82 2561 9959

Designed By:	Drawing By:	Checker By:	Scale: None	Date:
Project: Decanter-350		Title: Assembly		Sheet:
				Drawing No:

Process chart-single-line piping layout

D 350 TYPE



KOREA

Email: - Sludge21@Gmail.com

Add: 1 Dong 230-17, Eunhaengnamu-ro,
Yanggam-myeon, Hwaseong-si,
Gyeonggi-do, 18633, Korea

Tell: +82 2561 9959

Designed By:	Drawing By:	Checker By:	Scale: None	Date:
Project: Decanter-350		Title: P&ID		Sheet:
				Drawing No: