

D

400 TYPE

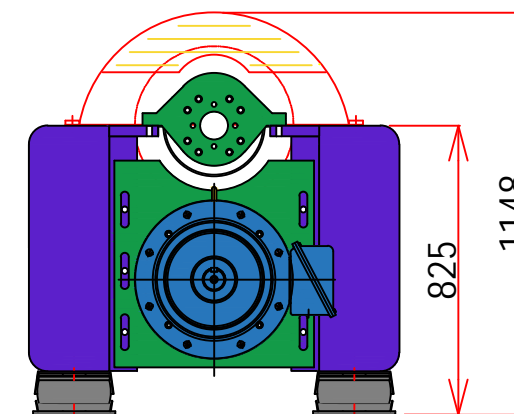
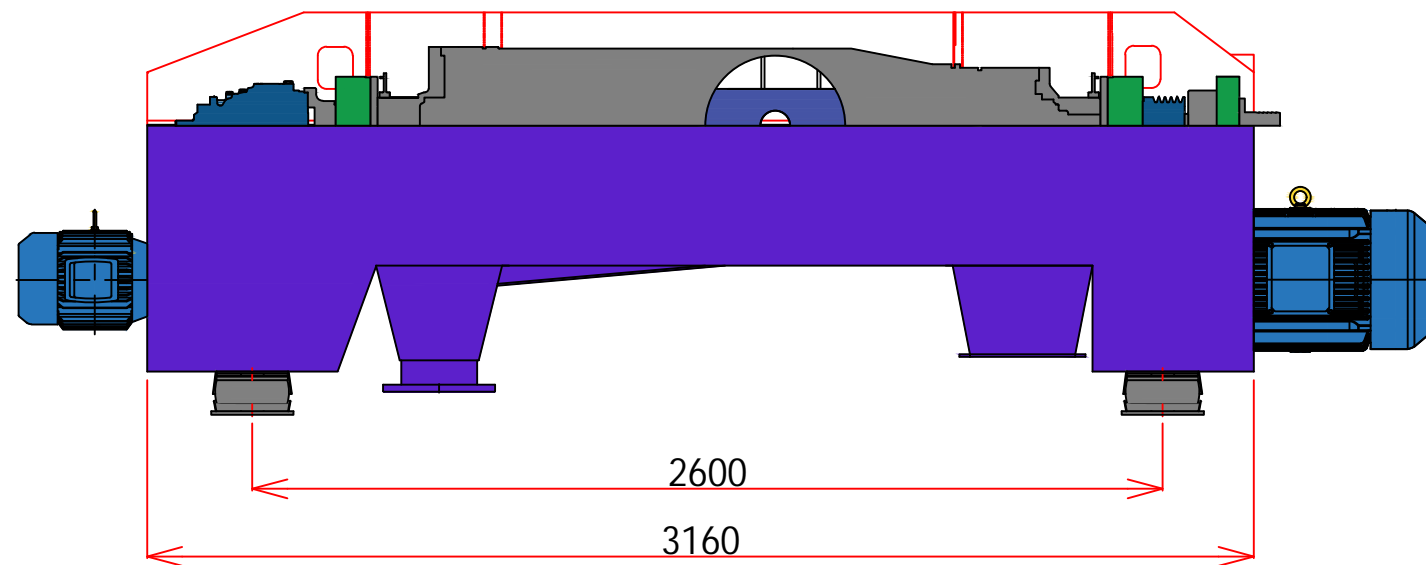
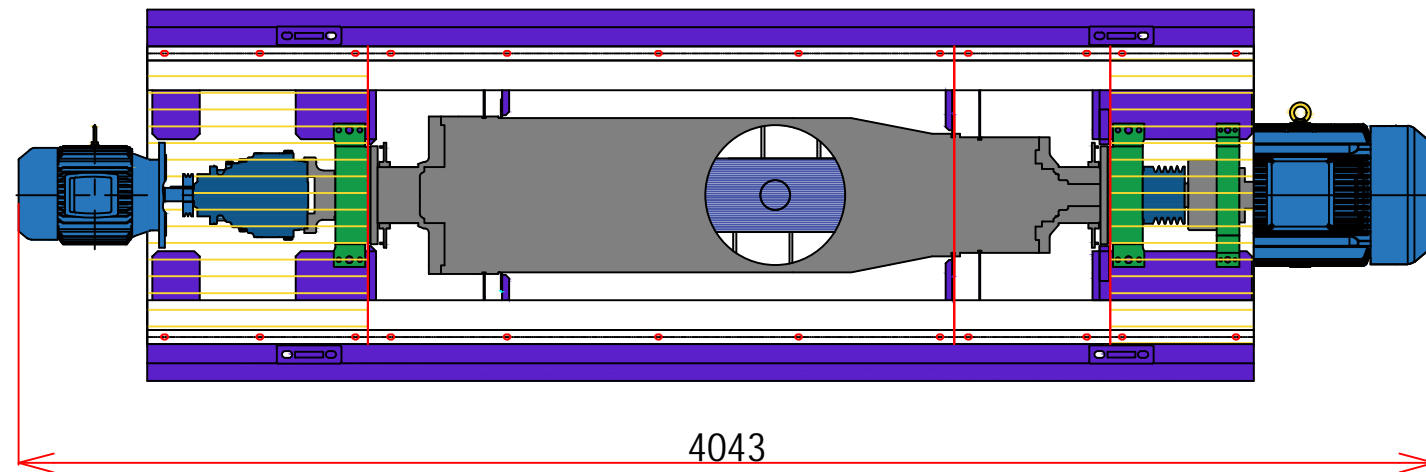
LAPUTA - *Dolphin*

For clean Aqua
Perfect, Research for sludge
Pleasant Our World, Korea



Screw-Decanter Centrifuge Dewatering Machine

D 400 TYPE

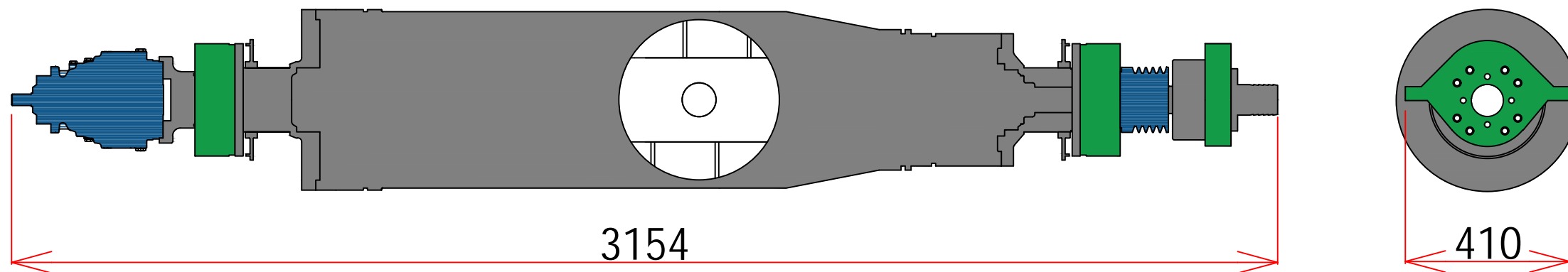
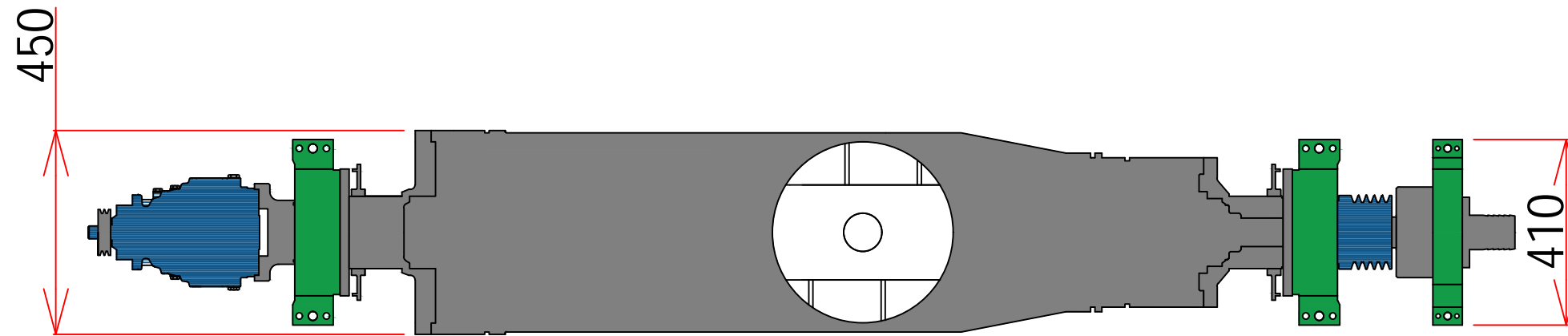


Add: 1 Dong 230-17, Eunhaengnamu-ro,
Yanggam-myeon, Hwaseong-si,
Gyeonggi-do, 18633, Korea
Tell: +82 2561 9959

Designed By:	Drawing By:	Checker By:	Scale: None	Date:
Project: Decanter-400		Title: Assembly		Sheet:
				Drawing No:

Screw-Decanter

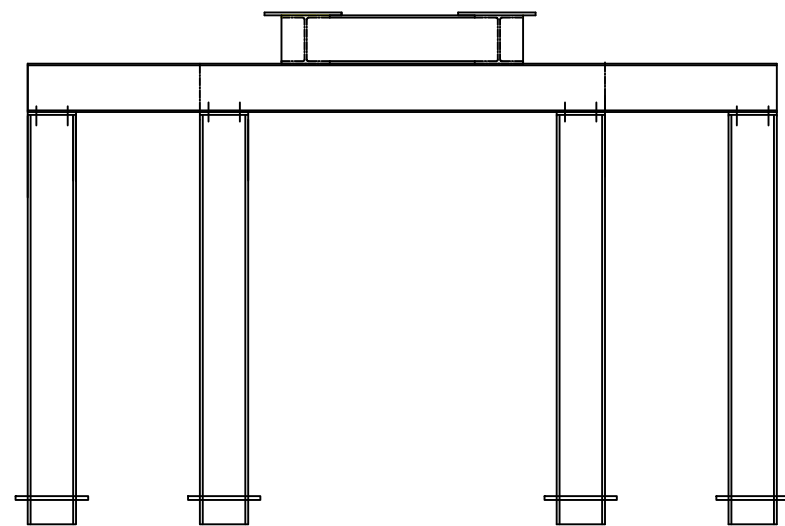
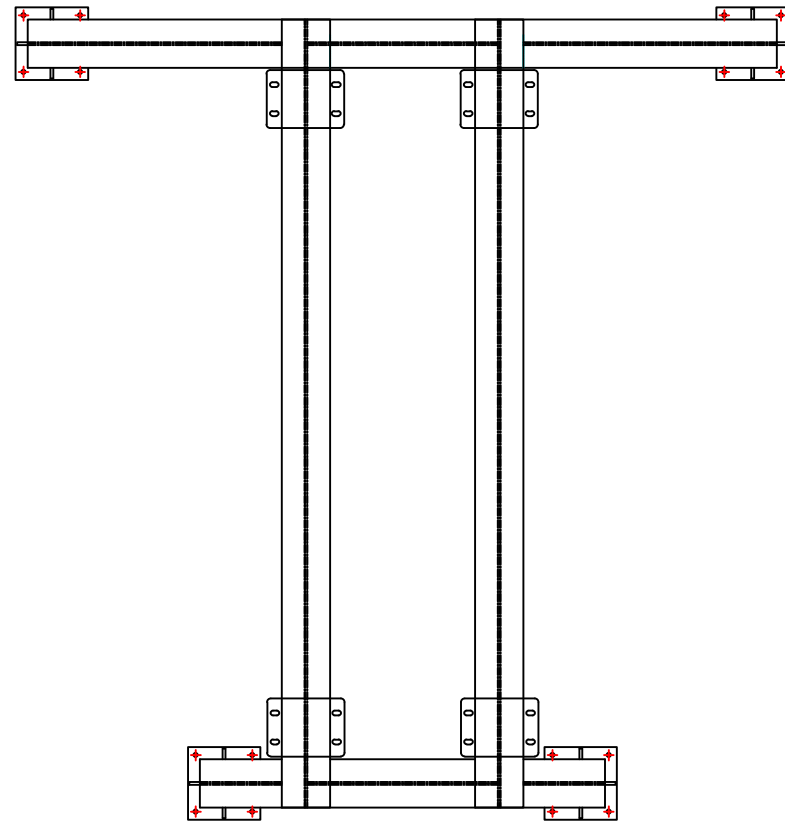
D 400 TYPE



Designed By:	Drawing By:	Checker By:	Scale: None	Date:
Project: Decanter-400		Title: Screw Decanter		Sheet:
				Drawing No:

PLATFORM DRAWING

D 400 TYPE

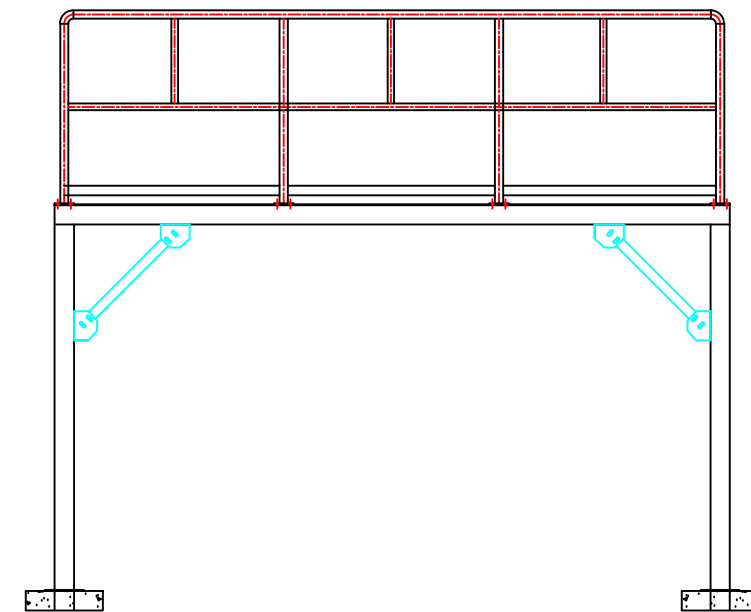
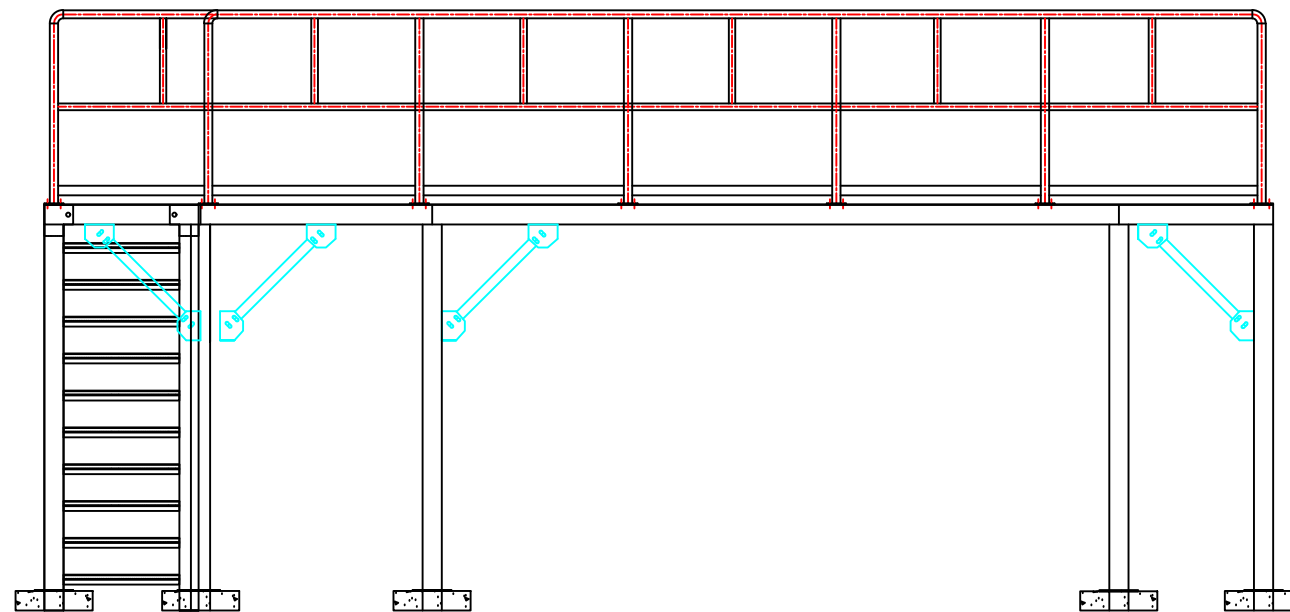
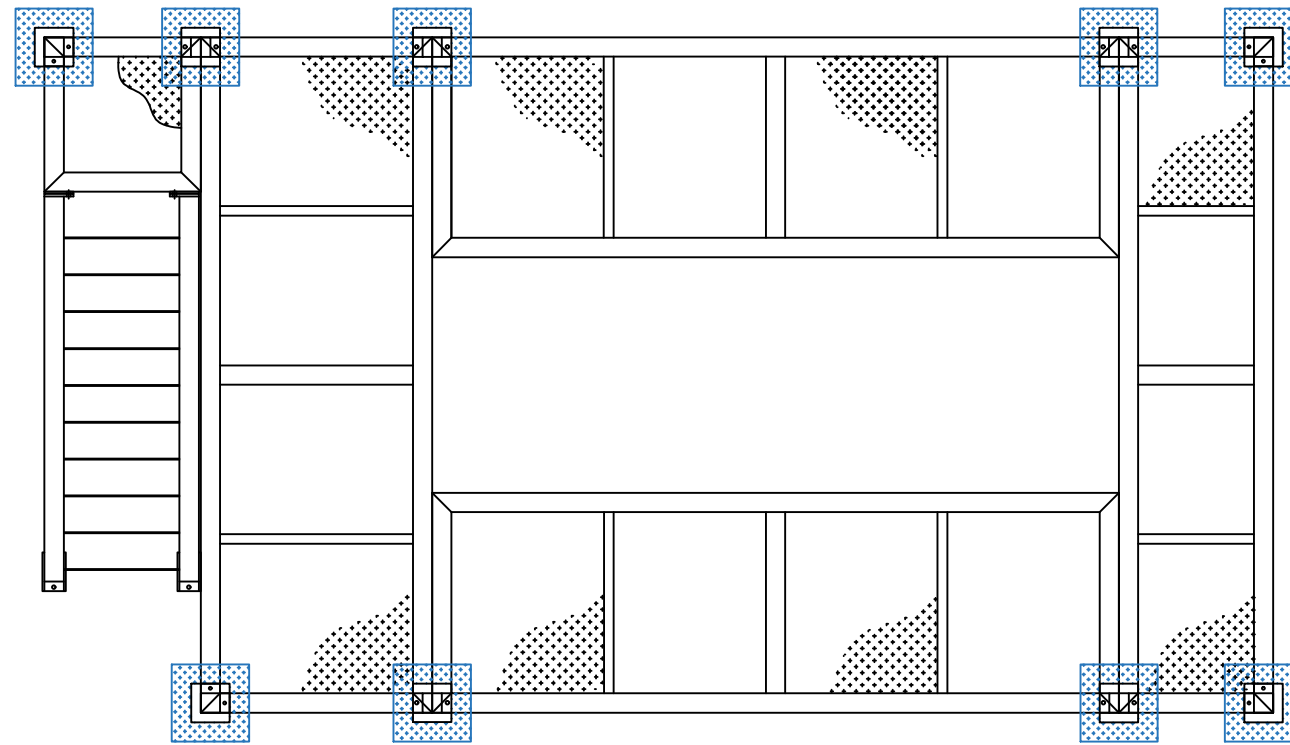


Add: 1 Dong 230-17, Eunhaengnamu-ro,
Yanggam-myeon, Hwaseong-si,
Gyeonggi-do, 18633, Korea
Tell: +82 2561 9959

Designed By:	Drawing By:	Checker By:	Scale: None	Date:
Project: Decanter-400		Title: Platform		Sheet:
				Drawing No:

WALKWAY DRAWING

D 400 TYPE



VIET NAM
Email: - arkvn234@gmail.com

Add: 5th floor, N03-T7 Diplomatic Urban Area,
Xuan Tao Ward, Bac Tu Liem Dist., Hanoi.

Tell: 0977.675.754

Designe By:

Drawing By:

Checker By:

Scale:
None

Date:
2022

Project:

Decanter-400

Title:

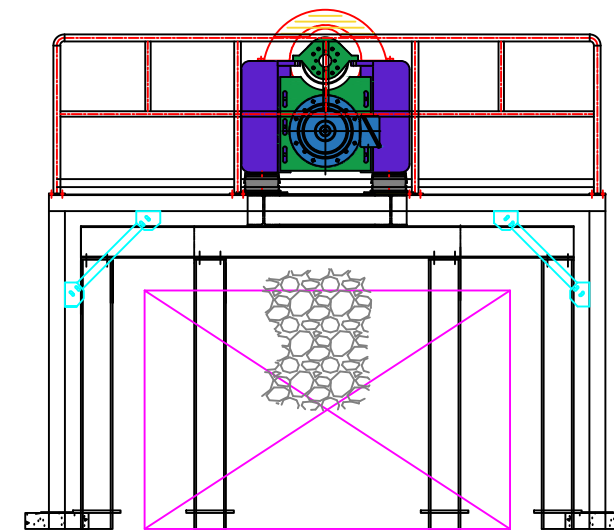
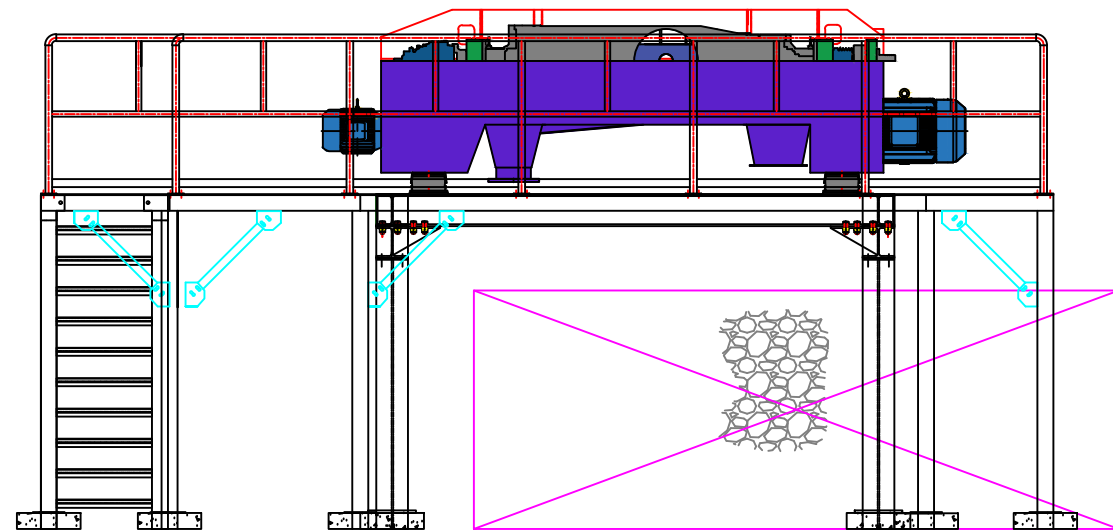
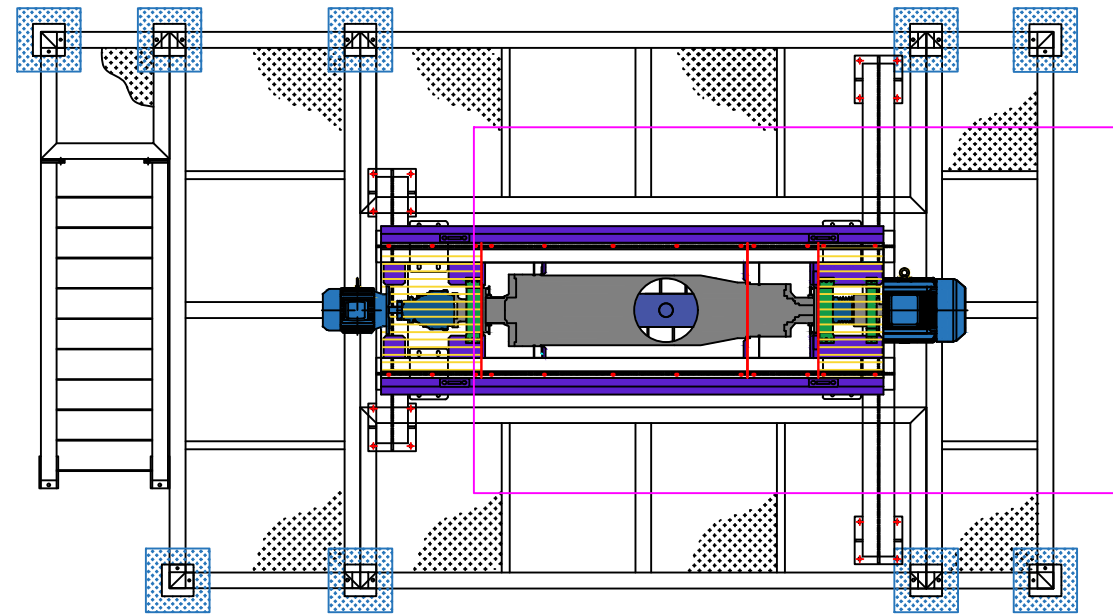
walkway

Sheet:

Drawing No:

Dewatering Machine

D 400 TYPE

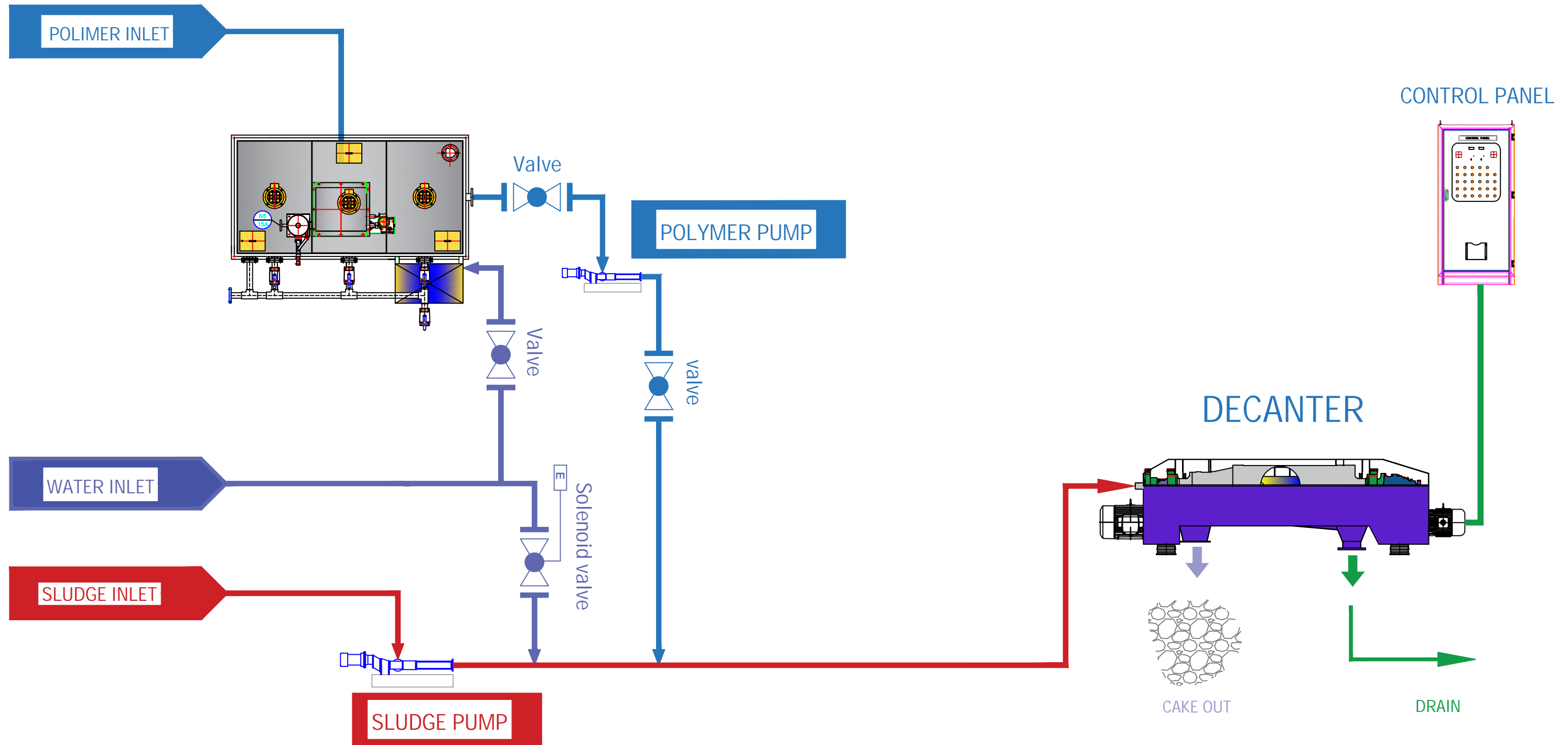


Add: 1 Dong 230-17, Eunhaengnamu-ro,
Yanggam-myeon, Hwaseong-si,
Gyeonggi-do, 18633, Korea
Tell: +82 2561 9959

Designed By:	Drawing By:	Checker By:	Scale: None	Date:
Project: Decanter-400		Title: Assembly		Sheet:
				Drawing No:

Process chart-single-line piping layout

D 400 TYPE



KOREA

Email: - Sludge21@Gmail.com

Add: 1 Dong 230-17, Eunhaengnamu-ro,
Yanggam-myeon, Hwaseong-si,
Gyeonggi-do, 18633, Korea

Tell: +82 2561 9959

Designed By:	Drawing By:	Checker By:	Scale: None	Date:
Project: Decanter-400		Title: P&ID		Sheet:
				Drawing No: