

D

450 TYPE

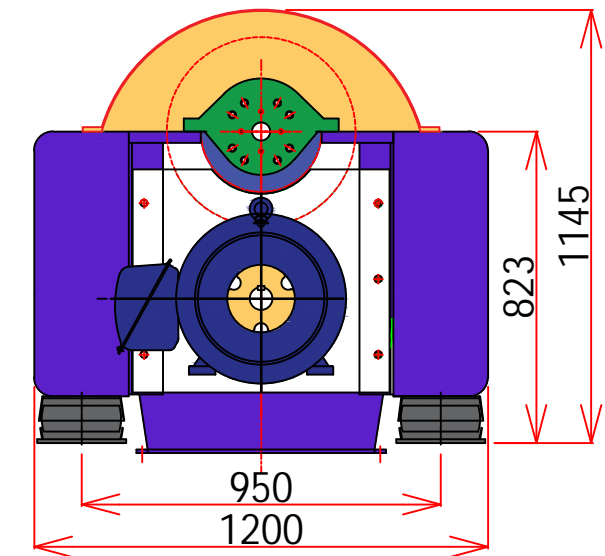
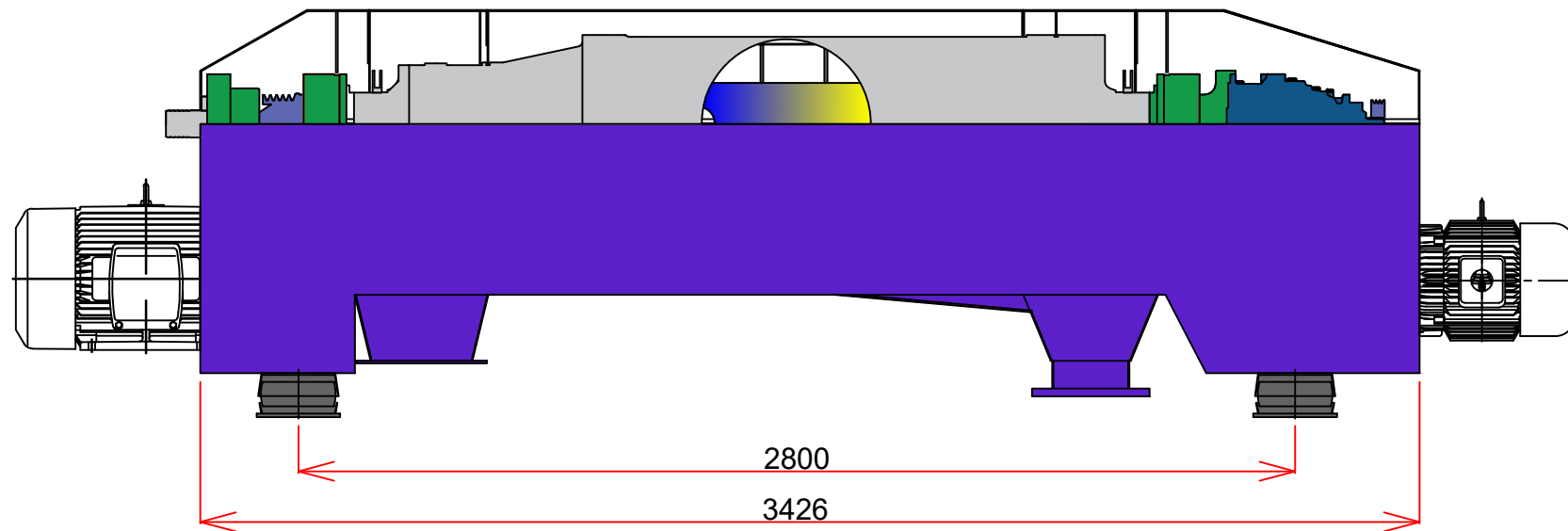
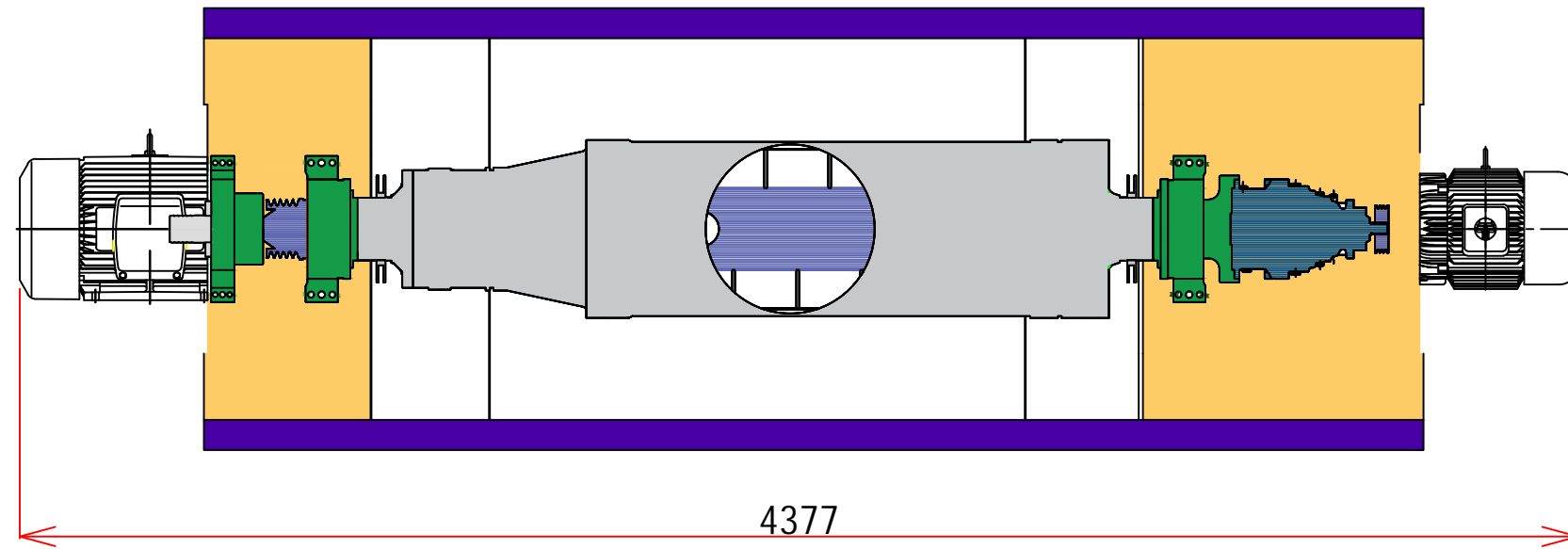
LAPUTA - *Dolphin*

For clean Aqua
Perfect, Research for sludge
Pleasant Our World, Korea



Screw-Decanter Centrifuge Dewatering Machine

D 450 TYPE

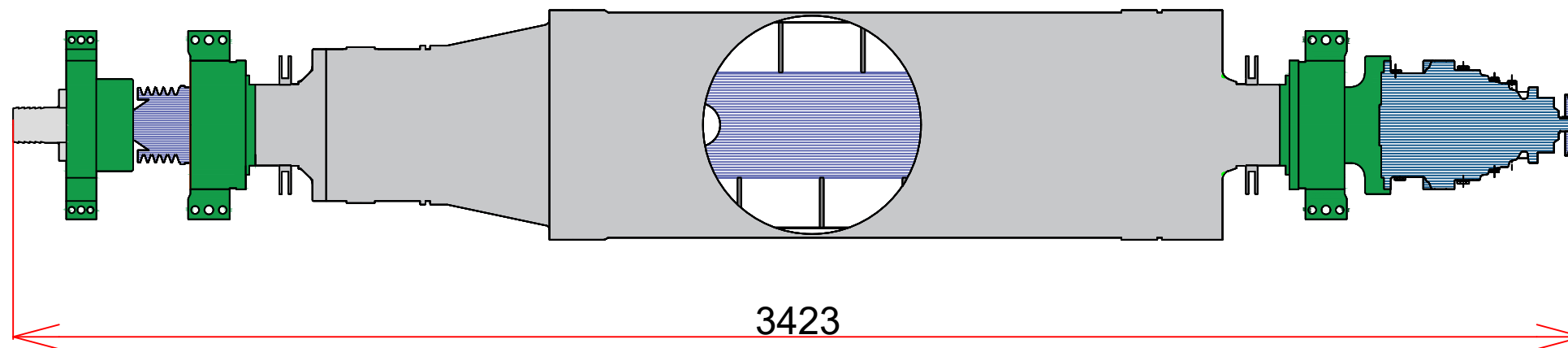
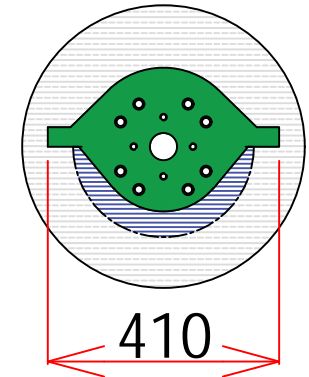
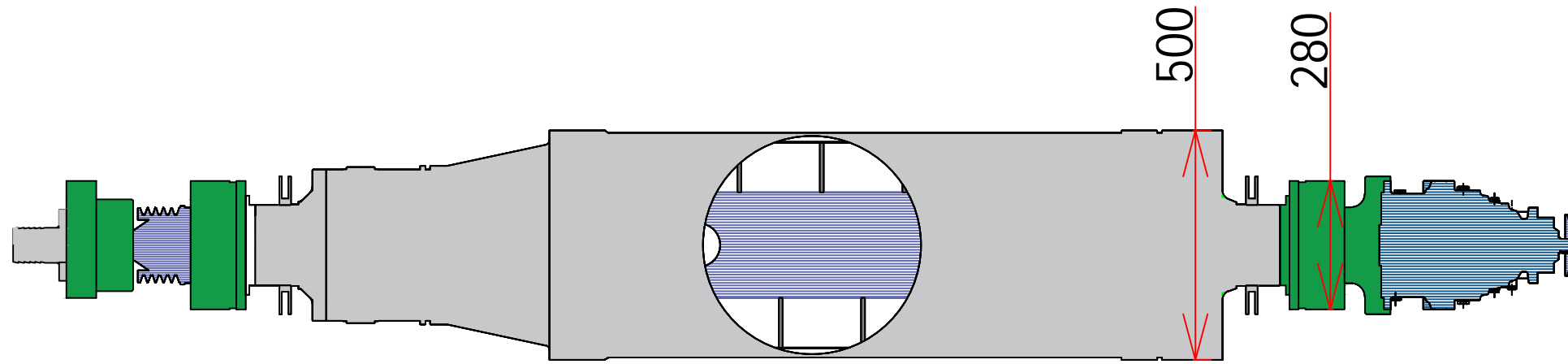


Add: 1 Dong 230-17, Eunhaengnamu-ro,
Yanggam-myeon, Hwaseong-si,
Gyeonggi-do, 18633, Korea
Tell: +82 2561 9959

Designed By:	Drawing By:	Checker By:	Scale: None	Date:
Project: Decanter-450	Title: Assembly		Sheet: Drawing No:	

Screw-Decanter

D 450 TYPE

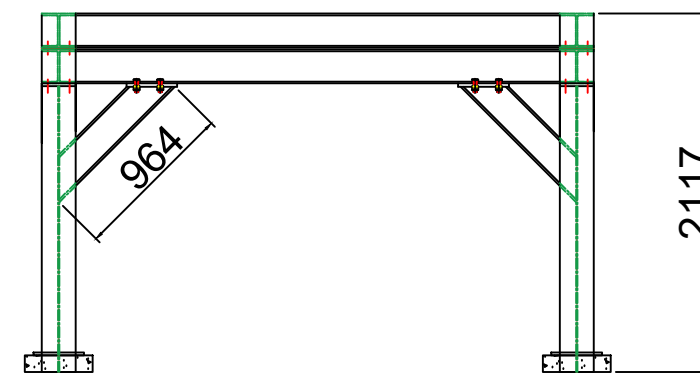
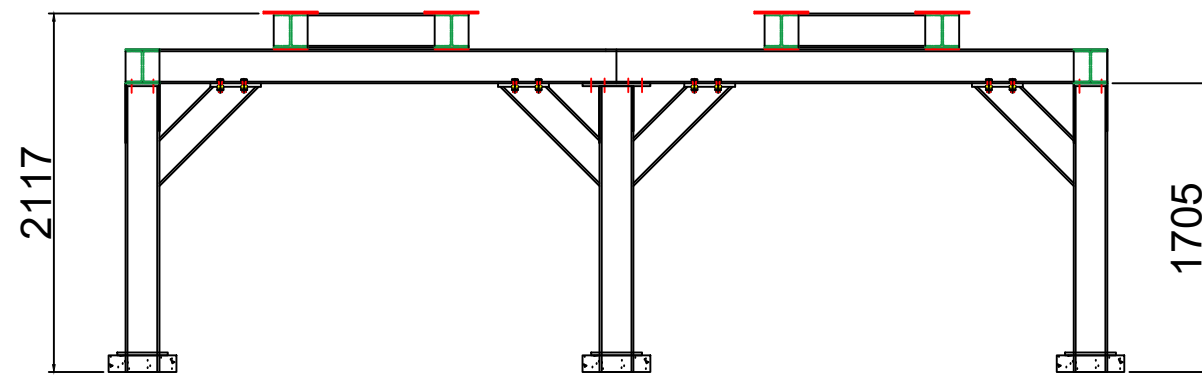
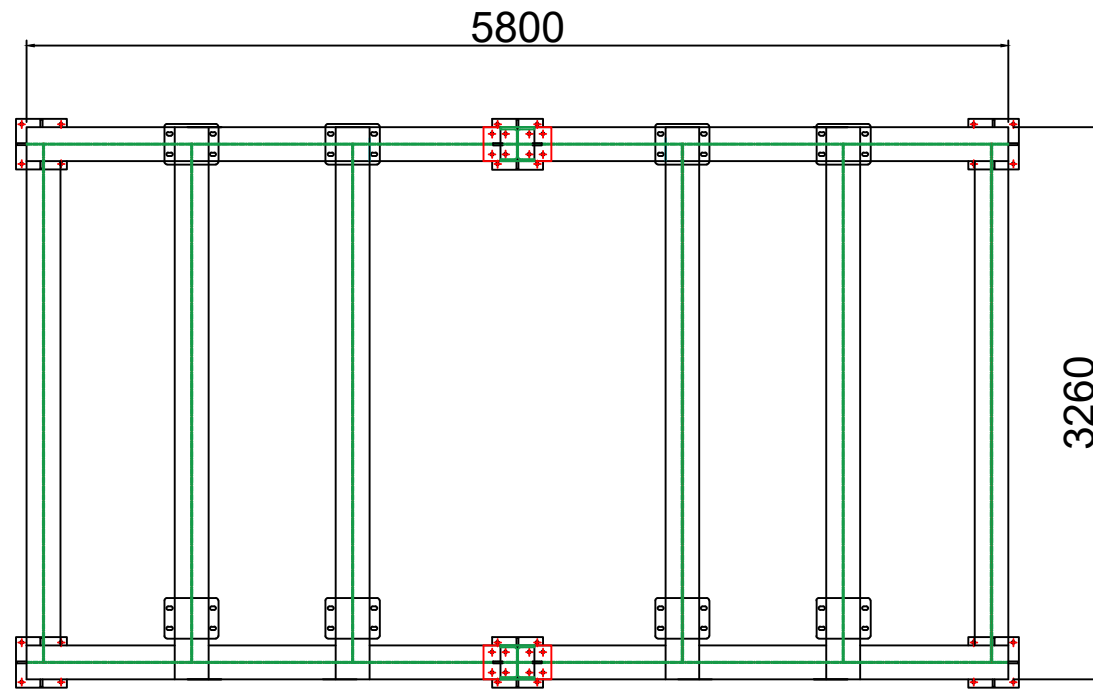


Add: 1 Dong 230-17, Eunhaengnamu-ro,
 Yanggam-myeon, Hwaseong-si,
 Gyeonggi-do, 18633, Korea
 Tell: +82 2561 9959

Designed By:	Drawing By:	Checker By:	Scale: None	Date:
Project: Decanter-450		Title: Screw Decanter		Sheet:
				Drawing No:

PLATFORM DRAWING

D 450 TYPE

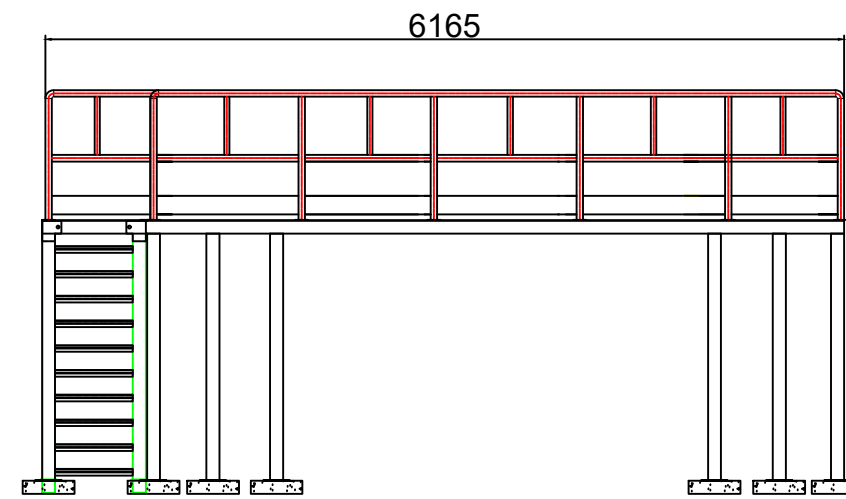
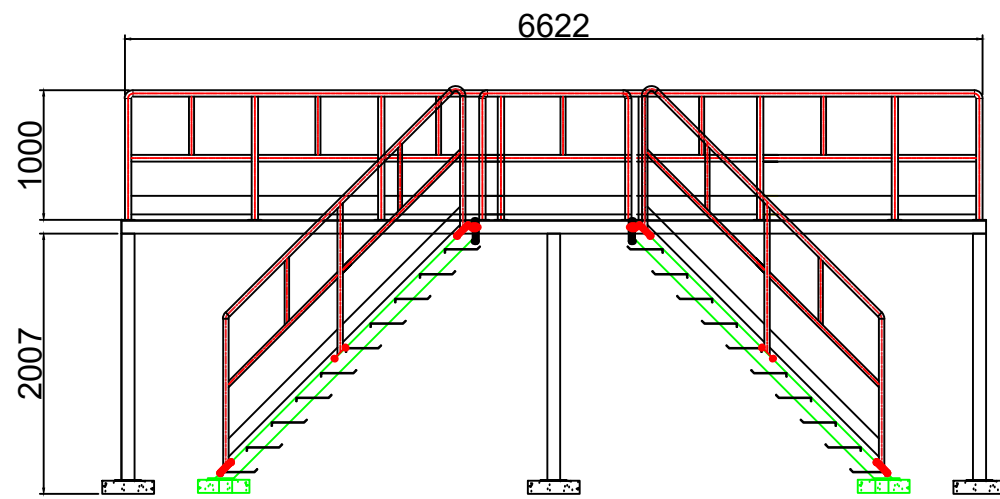
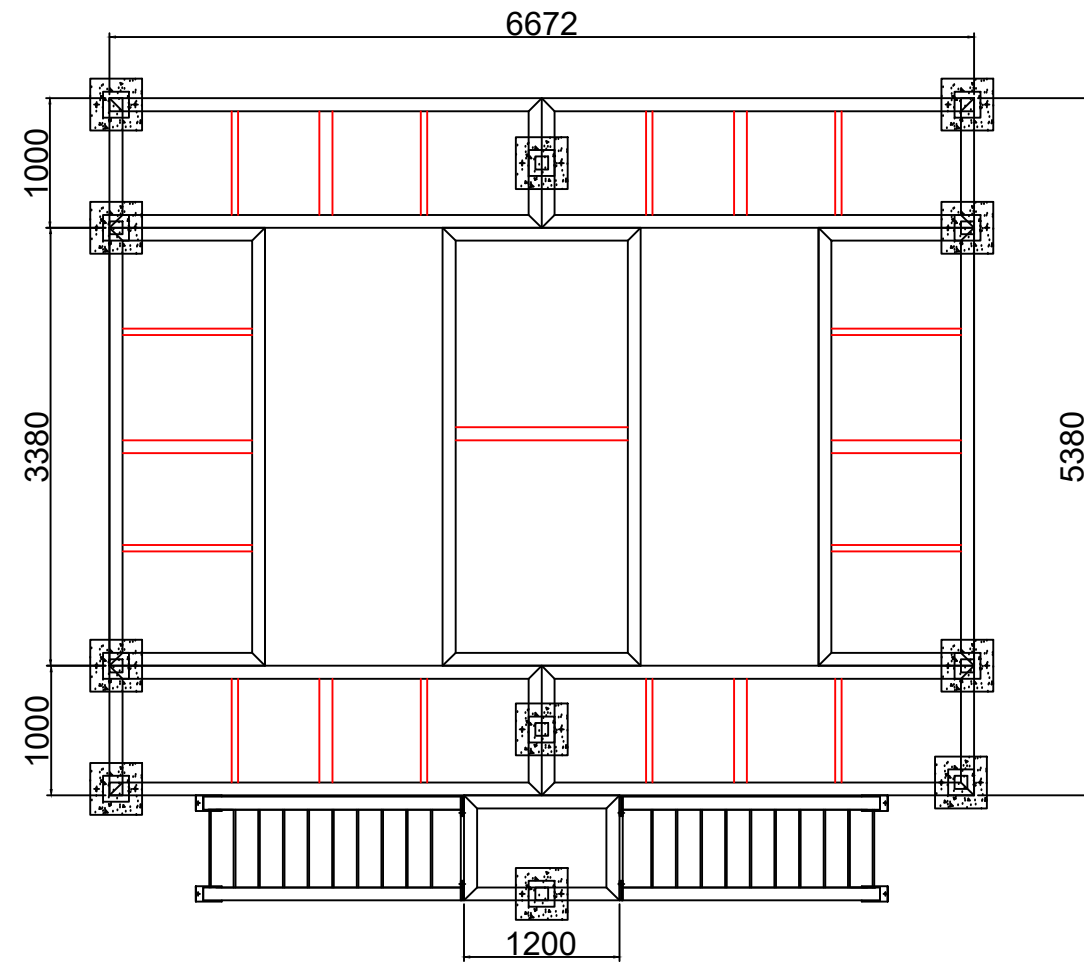


Add: 1 Dong 230-17, Eunhaengnamu-ro,
 Yanggam-myeon, Hwaseong-si,
 Gyeonggi-do, 18633, Korea
 Tell: +82 2561 9959

Designed By:	Drawing By:	Checker By:	Scale: None	Date:
Project: Decanter-450		Title: Platform	Sheet:	
			Drawing No:	

WALKWAY DRAWING

D 450 TYPE



VIET NAM

Email: - arkvn234@Gmail.com

Add: 5th floor, N03-T7 Diplomatic Urban Area,
Xuan Tao Ward, Bac Tu Liem Dist., Hanoi.

Tell: 0977.675.754

Designe By:

Drawing By:

Checker By:

Scale:

None

Date:

2022

Project:

Decanter-450

Title:

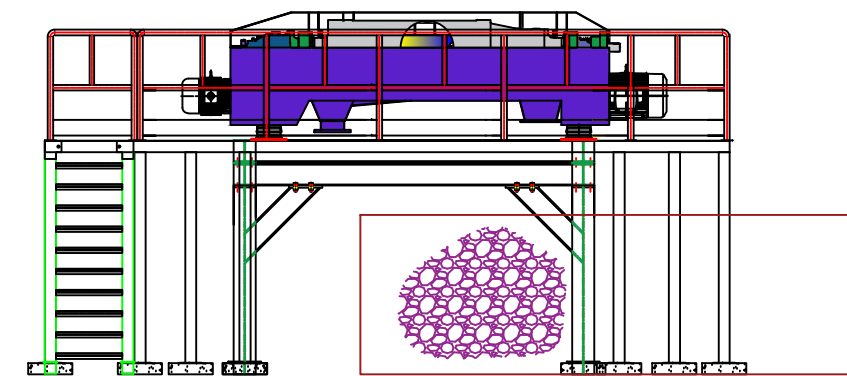
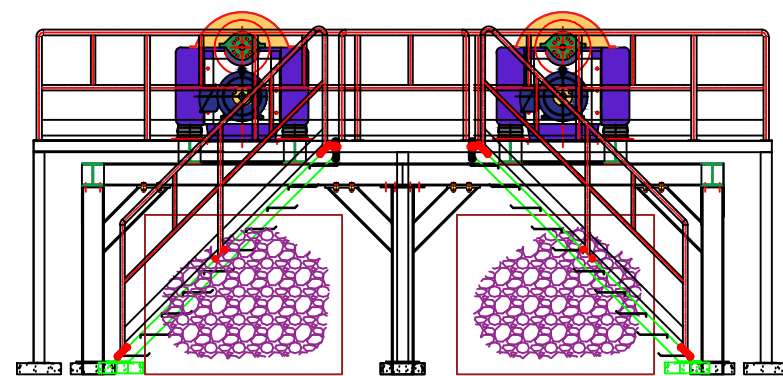
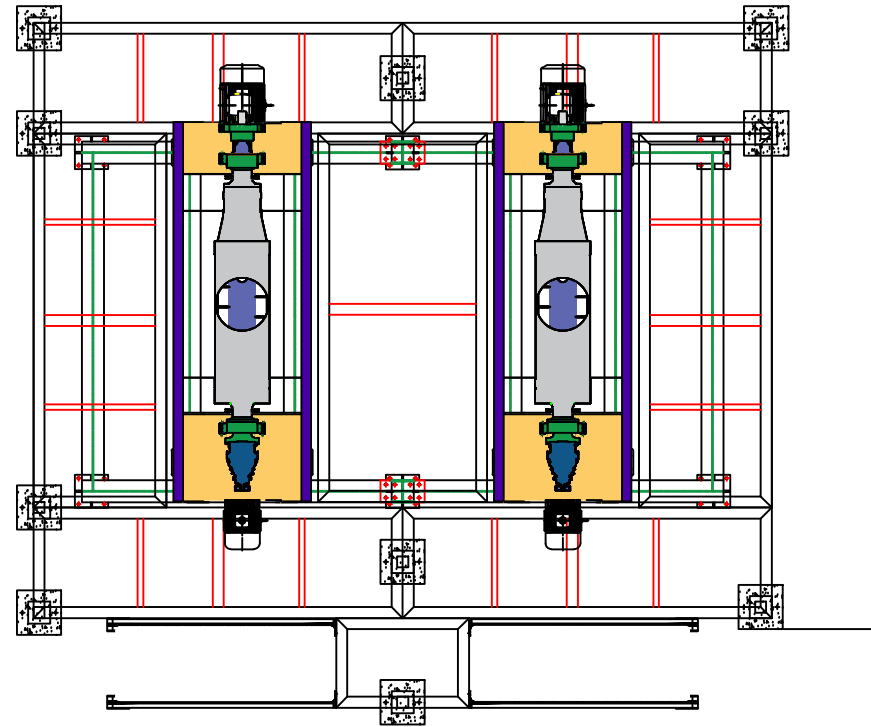
walkway

Sheet:

Drawing No:

Dewatering Machine

D 450 TYPE

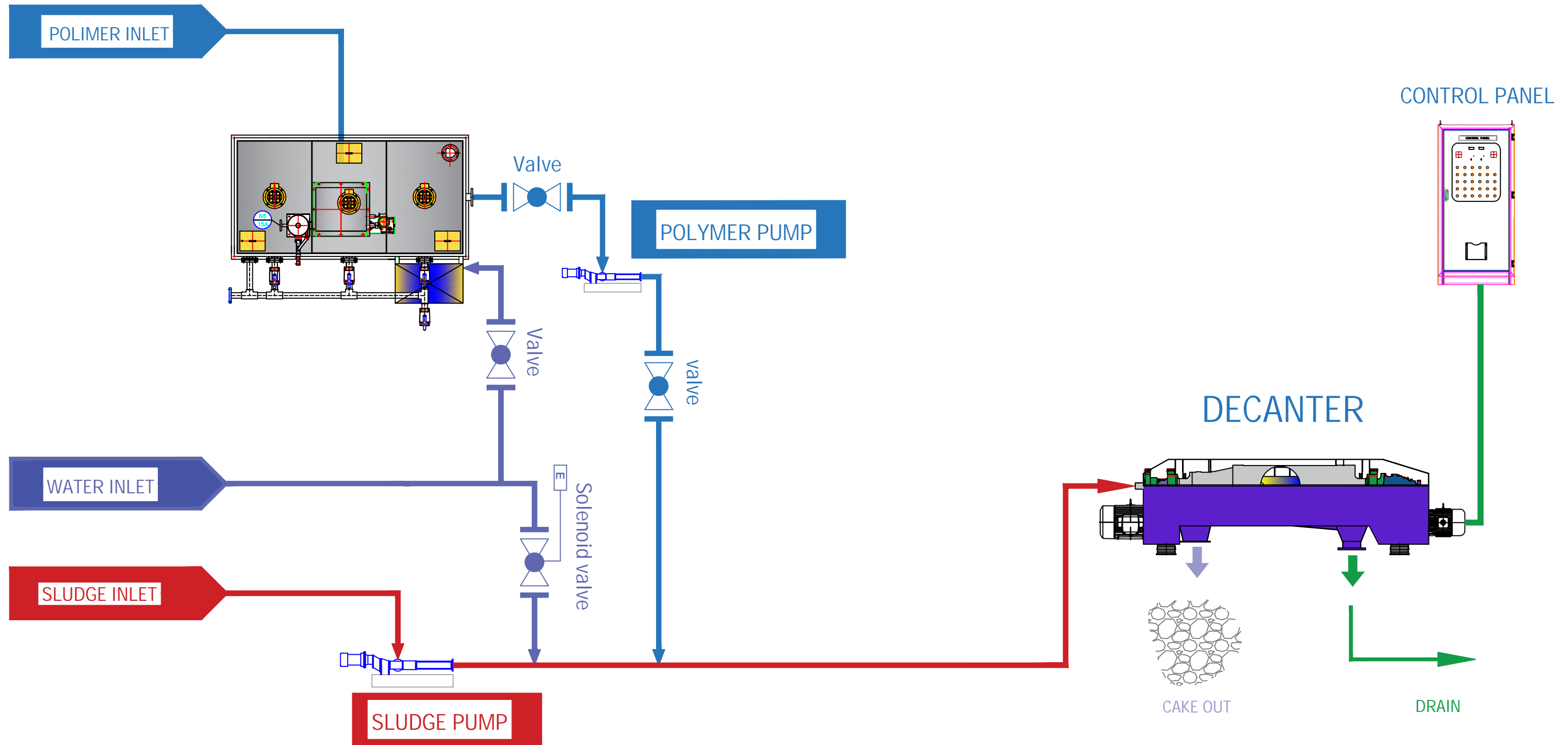


Add: 1 Dong 230-17, Eunhaengnamu-ro,
 Yanggam-myeon, Hwaseong-si,
 Gyeonggi-do, 18633, Korea
 Tell: +82 2561 9959

Designed By:	Drawing By:	Checker By:	Scale: None	Date:
Project: Decanter-450		Title: Assembly		Sheet:
				Drawing No:

Process chart-single-line piping layout

D 450 TYPE



KOREA

Email: - Sludge21@Gmail.com

Add: 1 Dong 230-17, Eunhaengnamu-ro,
Yanggam-myeon, Hwaseong-si,
Gyeonggi-do, 18633, Korea

Tell: +82 2561 9959

Designed By:	Drawing By:	Checker By:	Scale: None	Date:
Project: Decanter-450		Title: P&ID		Sheet:
				Drawing No: