

D

500 TYPE

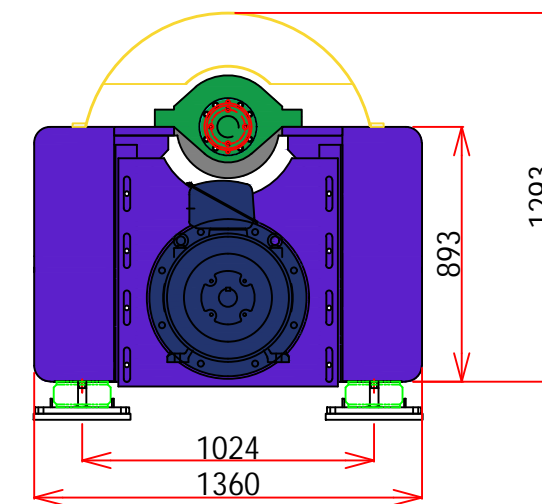
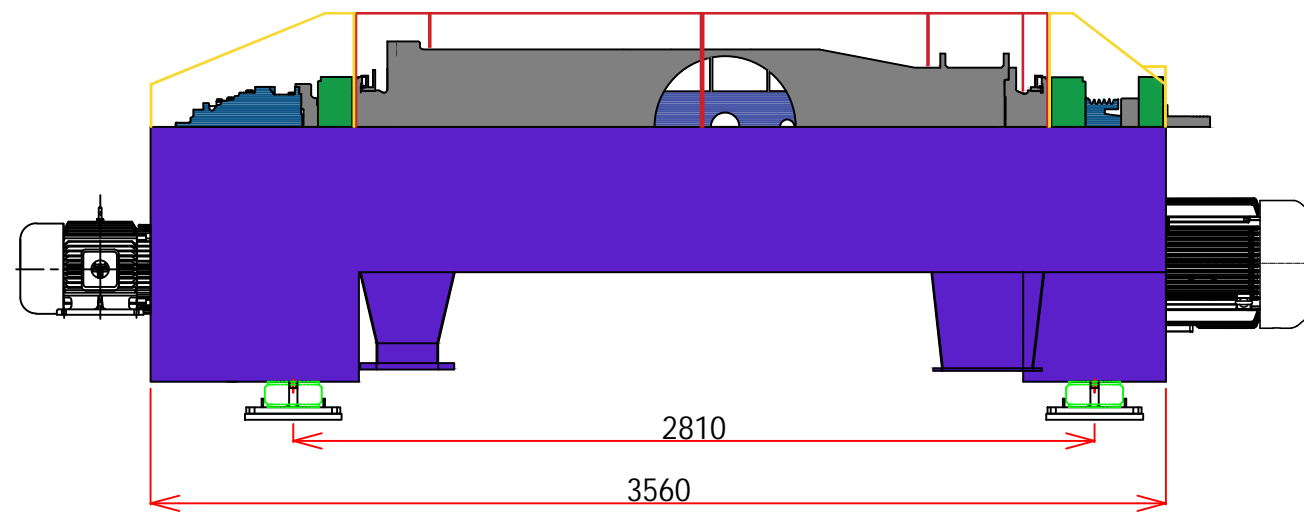
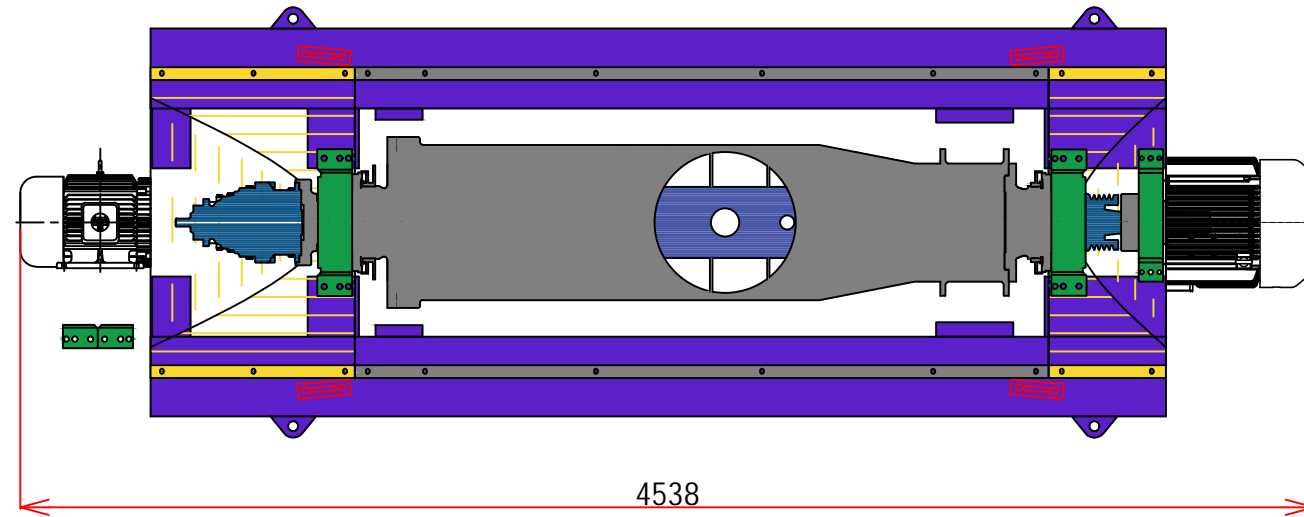
LAPUTA - *Dolphin*

For clean Aqua  
Perfect, Research for sludge  
Pleasant Our World, Korea



# Screw-Decanter Centrifuge Dewatering Machine

D 500 TYPE

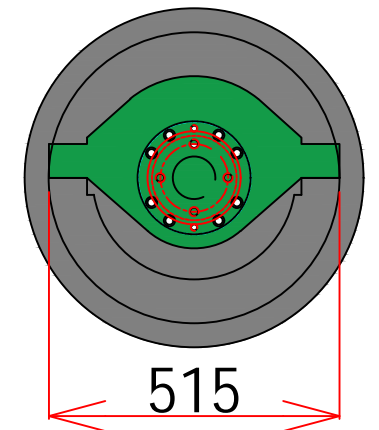
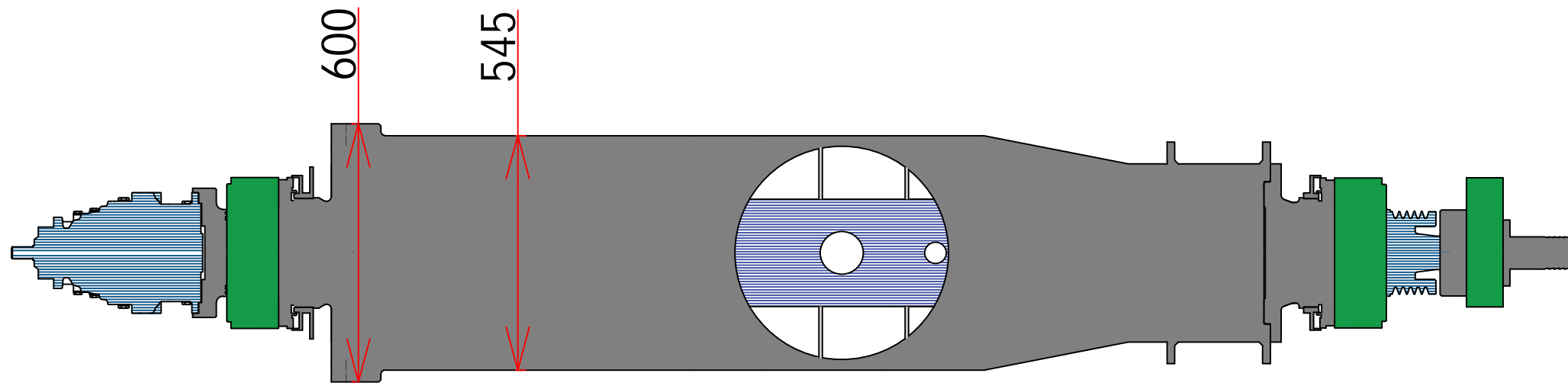
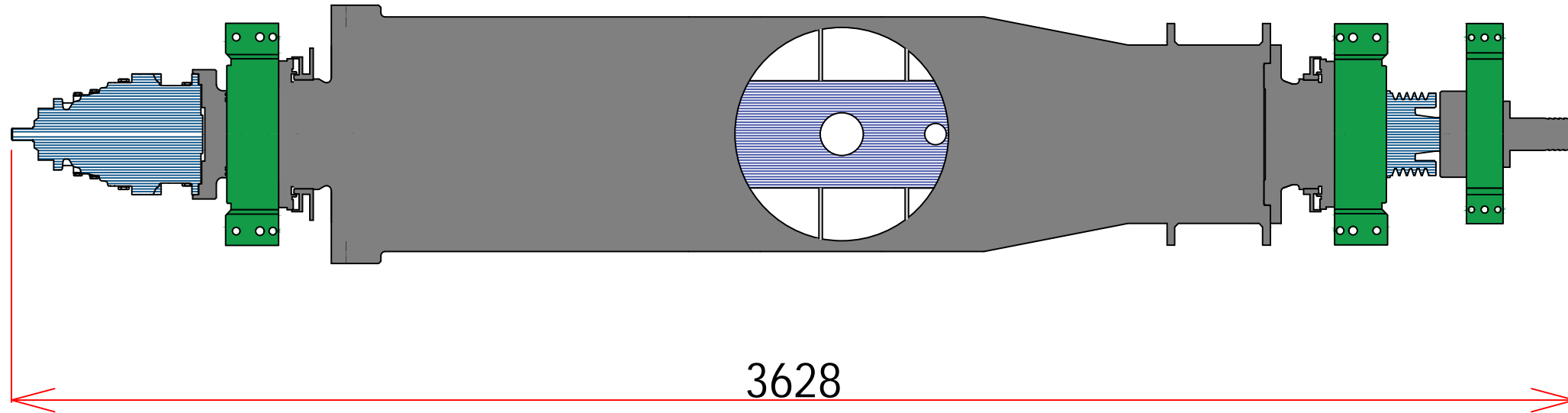


Add: 1 Dong 230-17, Eunhaengnamu-ro,  
Yanggam-myeon, Hwaseong-si,  
Gyeonggi-do, 18633, Korea  
Tell: +82 2561 9959

Designed By:	Drawing By:	Checker By:	Scale: None	Date:
Project: Decanter-500		Title: Assembly	Sheet:	
			Drawing No:	

# Screw-Decanter

D 500 TYPE

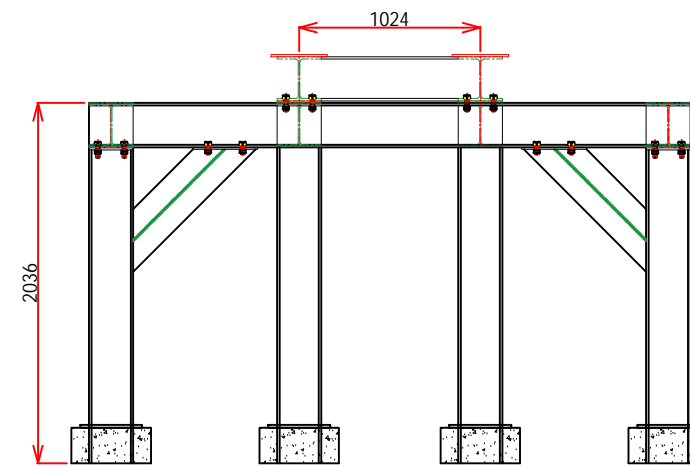
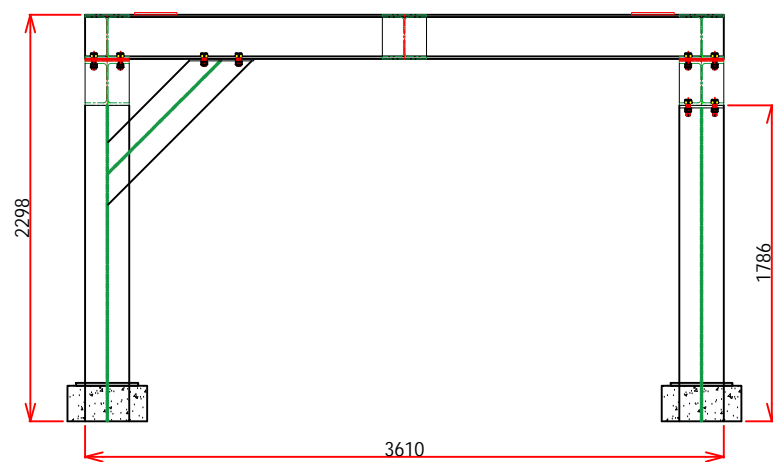
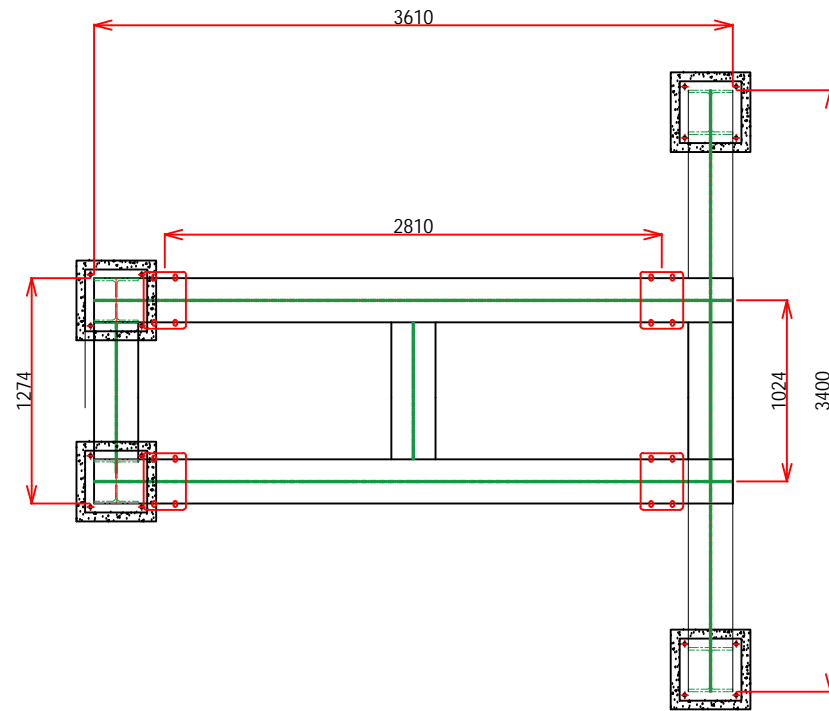


Add: 1 Dong 230-17, Eunhaengnamu-ro,  
Yanggam-myeon, Hwaseong-si,  
Gyeonggi-do, 18633, Korea  
Tell: +82 2561 9959

Designed By:	Drawing By:	Checker By:	Scale: None	Date:
Project: Decanter-500		Title: Screw Decanter		Sheet:
				Drawing No:

# PLATFORM DRAWING

D 500 TYPE

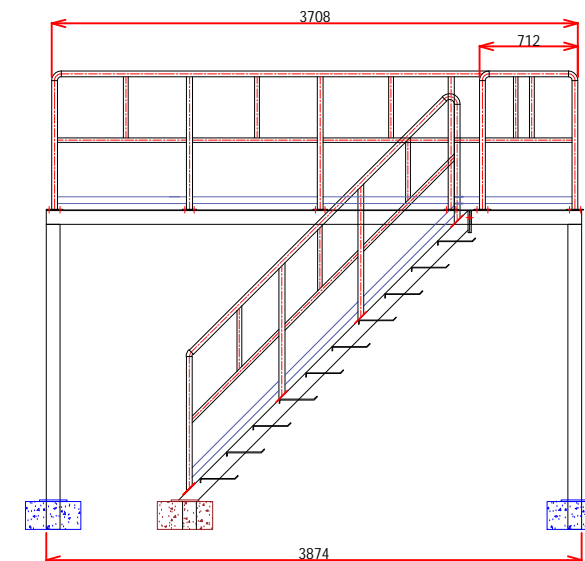
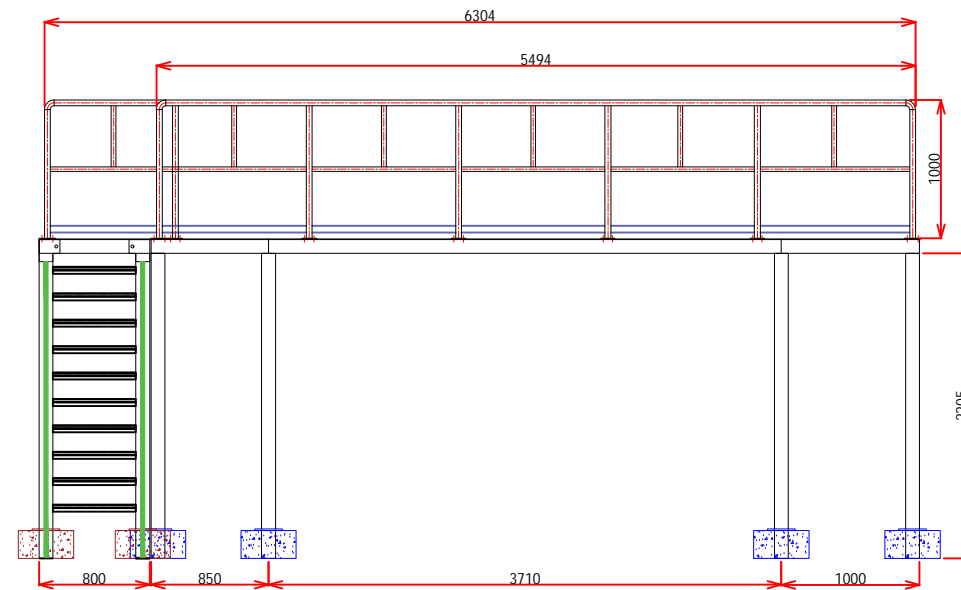
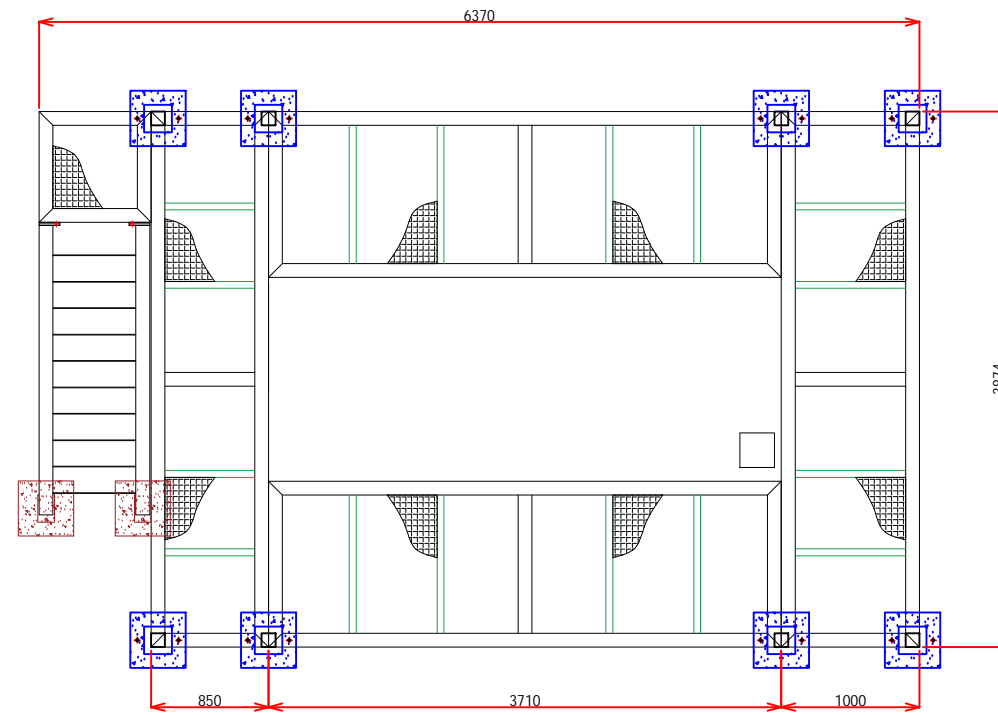


Add: 1 Dong 230-17, Eunhaengnamu-ro,  
Yanggam-myeon, Hwaseong-si,  
Gyeonggi-do, 18633, Korea  
Tell: +82 2561 9959

Designed By:	Drawing By:	Checker By:	Scale: None	Date:
Project: Decanter-500		Title: Platform		Sheet:
				Drawing No:

# WALKWAY DRAWING

D 500 TYPE



**VIET NAM**

Email: - [arkvn234@gmail.com](mailto:arkvn234@gmail.com)

Add: 5th floor, N03-T7 Diplomatic Urban Area,  
Xuan Tao Ward, Bac Tu Liem Dist., Hanoi.

Tell: 0977.675.754

Designe By:

Drawing By:

Checker By:

Scale:

None

Date:

2022

Project:

Decanter-500

Title:

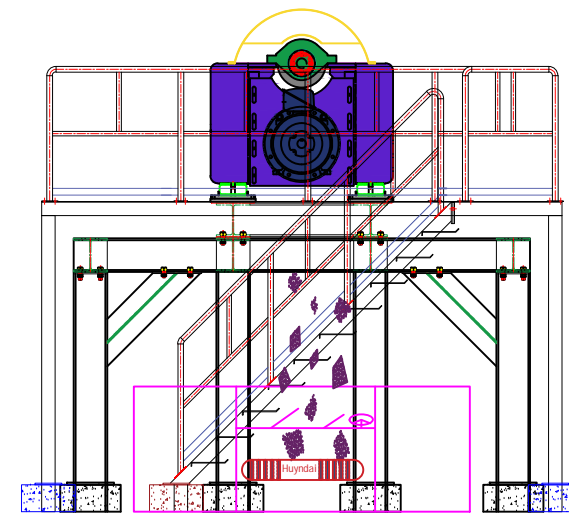
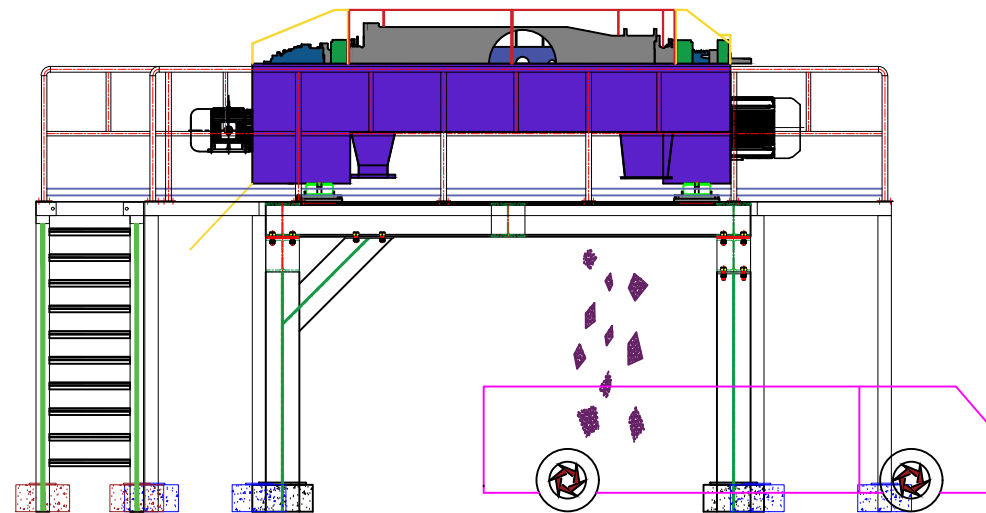
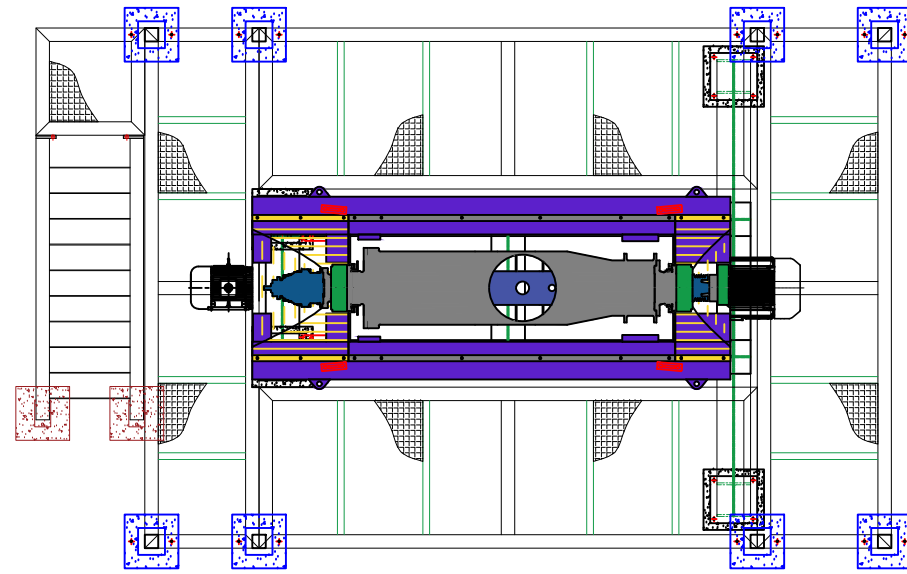
walkway

Sheet:

Drawing No:

# Dewatering Machine

D 500 TYPE

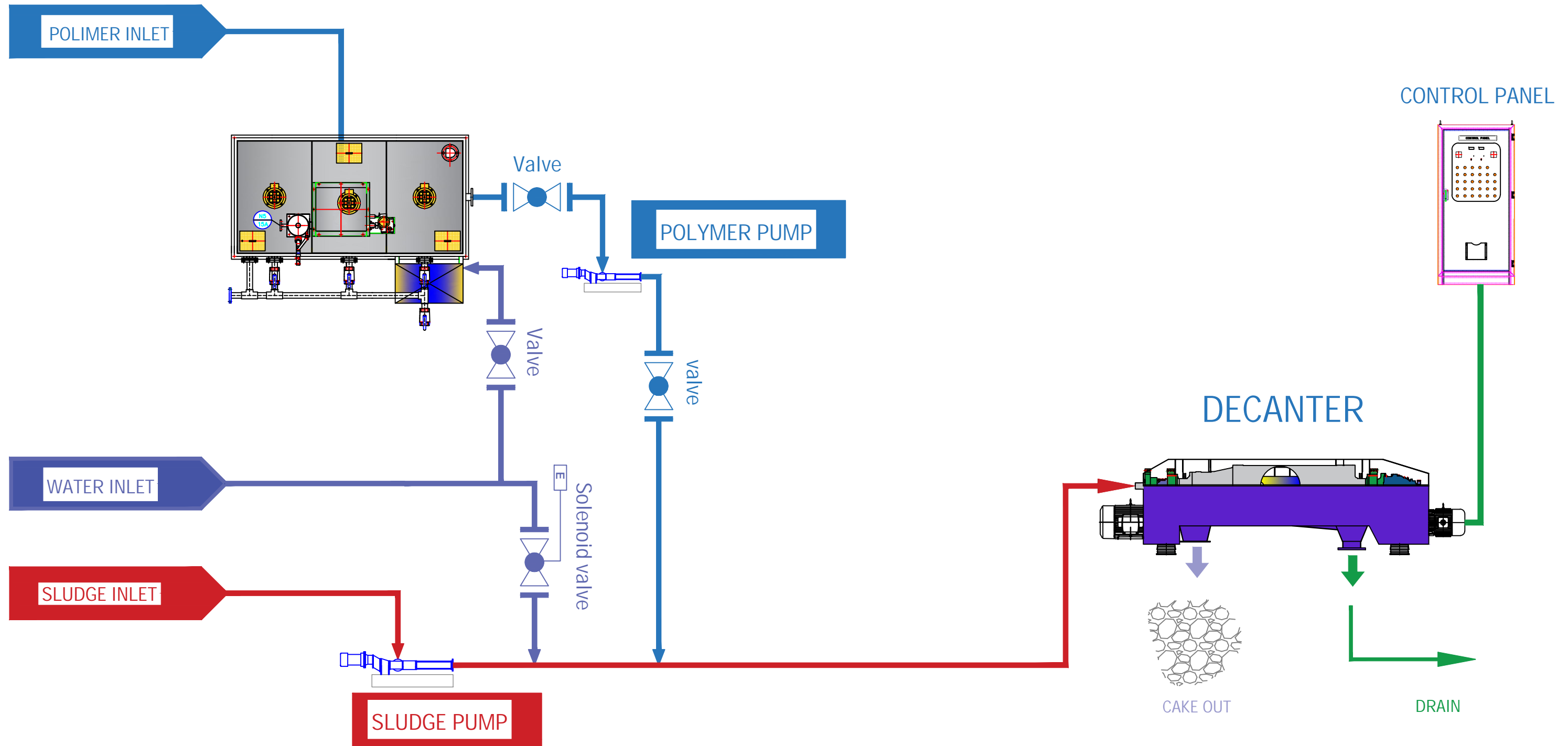


Add: 1 Dong 230-17, Eunhaengnamu-ro,  
Yanggam-myeon, Hwaseong-si,  
Gyeonggi-do, 18633, Korea  
Tell: +82 2561 9959

Designed By:	Drawing By:	Checker By:	Scale: None	Date:
Project: Decanter-500		Title: Assembly	Sheet:	
			Drawing No:	

# Process chart-single-line piping layout

D 500 TYPE



**KOREA**

Email: - Sludge21@Gmail.com

Add: 1 Dong 230-17, Eunhaengnamu-ro,  
Yanggam-myeon, Hwaseong-si,  
Gyeonggi-do, 18633, Korea

Tell: +82 2561 9959

Designed By:	Drawing By:	Checker By:	Scale: None	Date:
Project: Decanter-500		Title: P&ID	Sheet:	
			Drawing No:	