

S-RT 202 TYPE

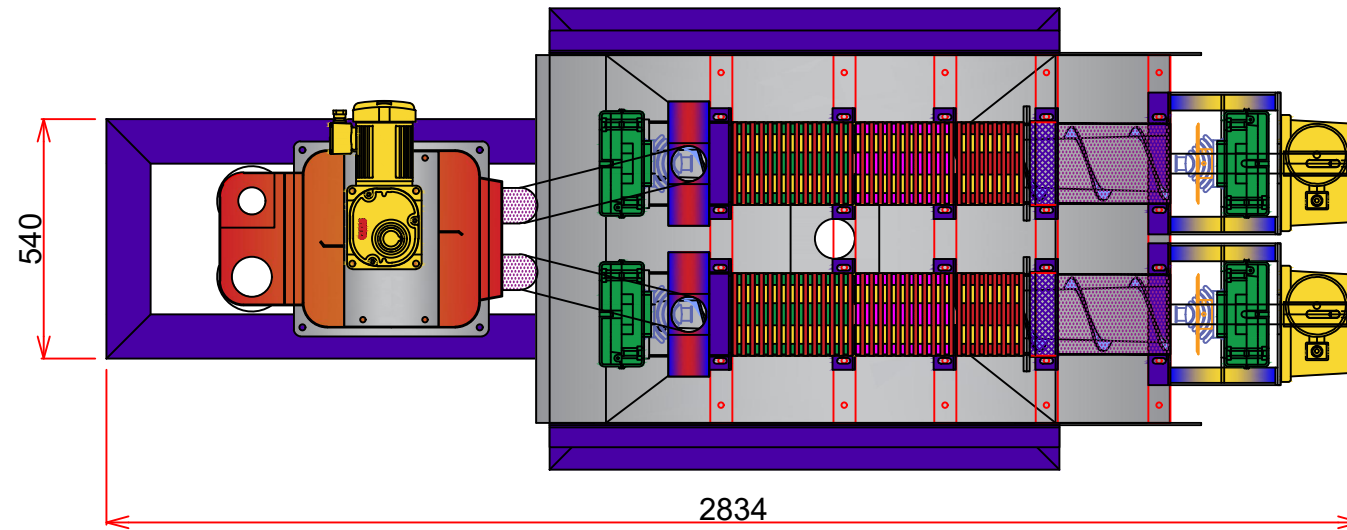
LAPUTA - *Snake*

For clean Aqua
Perfect, Research for sludge
Pleasant Our World, Korea

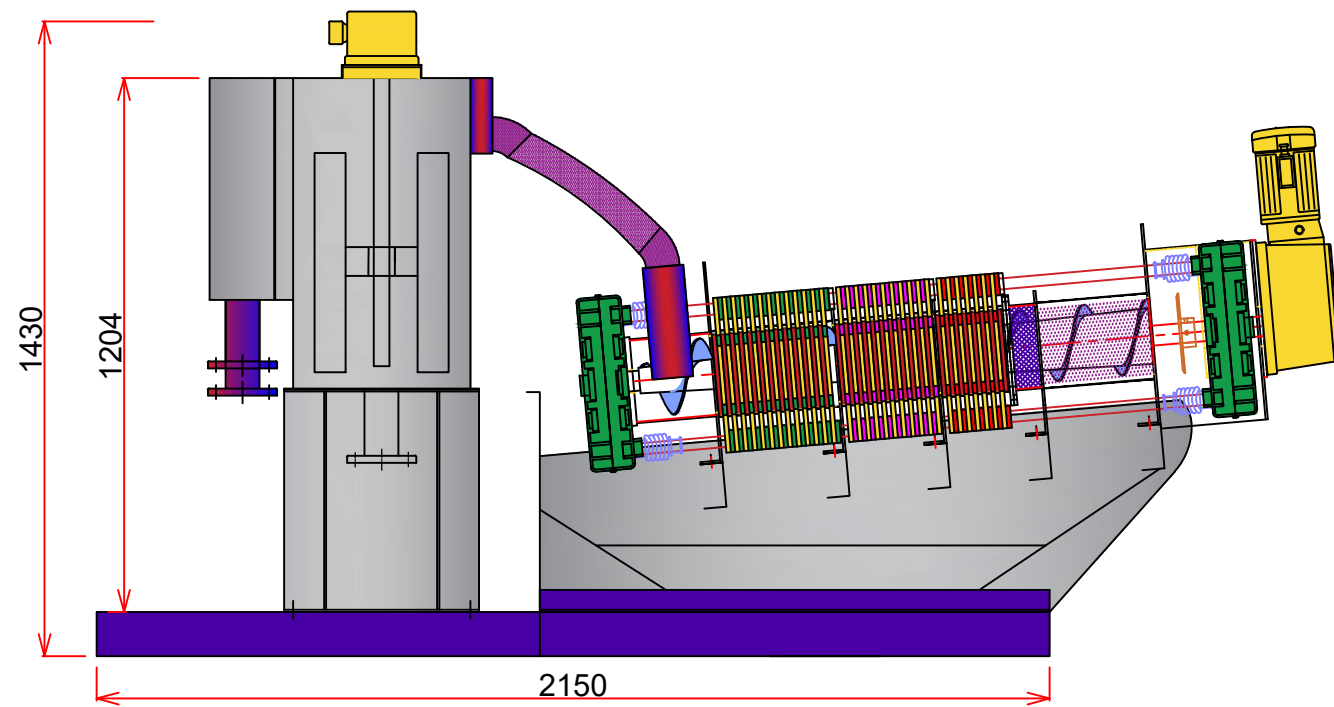


Multi-Disk type Screw press-S-RT-202 Dewatering Machine

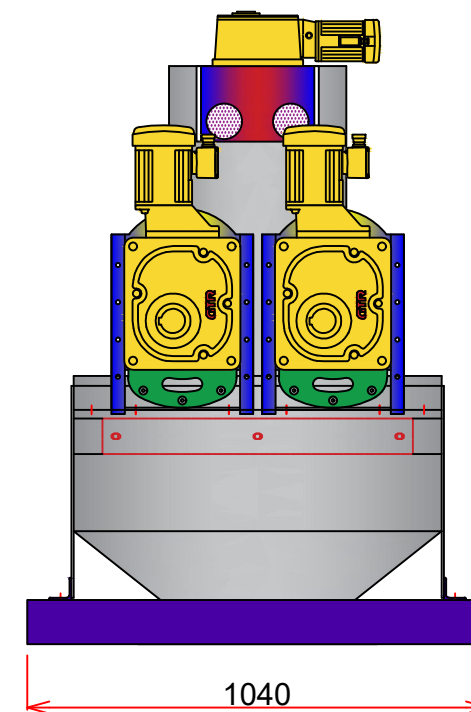
S-RT 202 TYPE



TOP VIEW



FRONT VIEW



LEFT VIEW



KOREA

Email: - Sludge21@Gmail.com

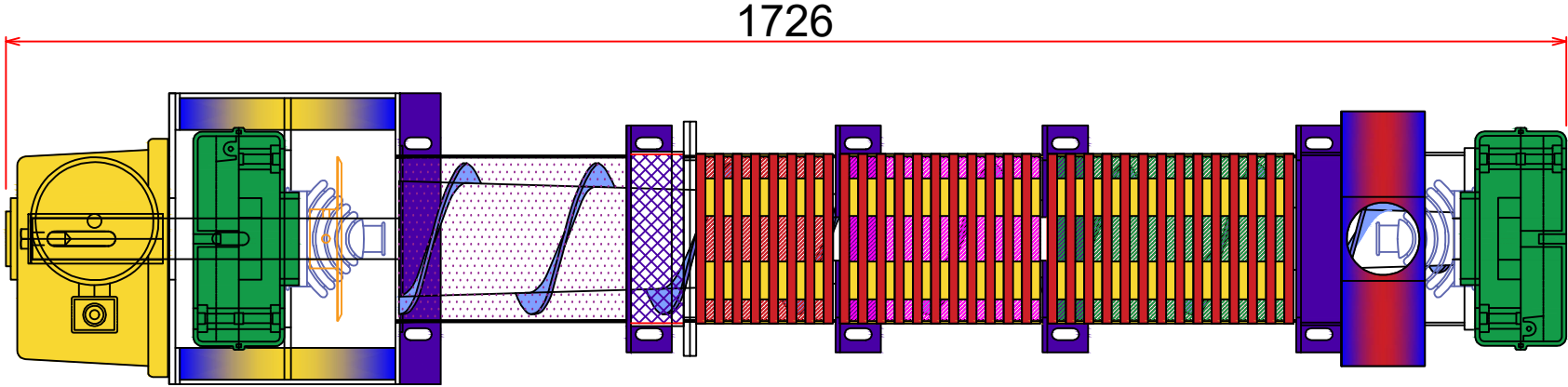
Add: 1 Dong 230-17, Eunhaengnamu-ro,
Yanggam-myeon, Hwaseong-si,
Gyeonggi-do, 18633, Korea

Tell: +82 2561 9959

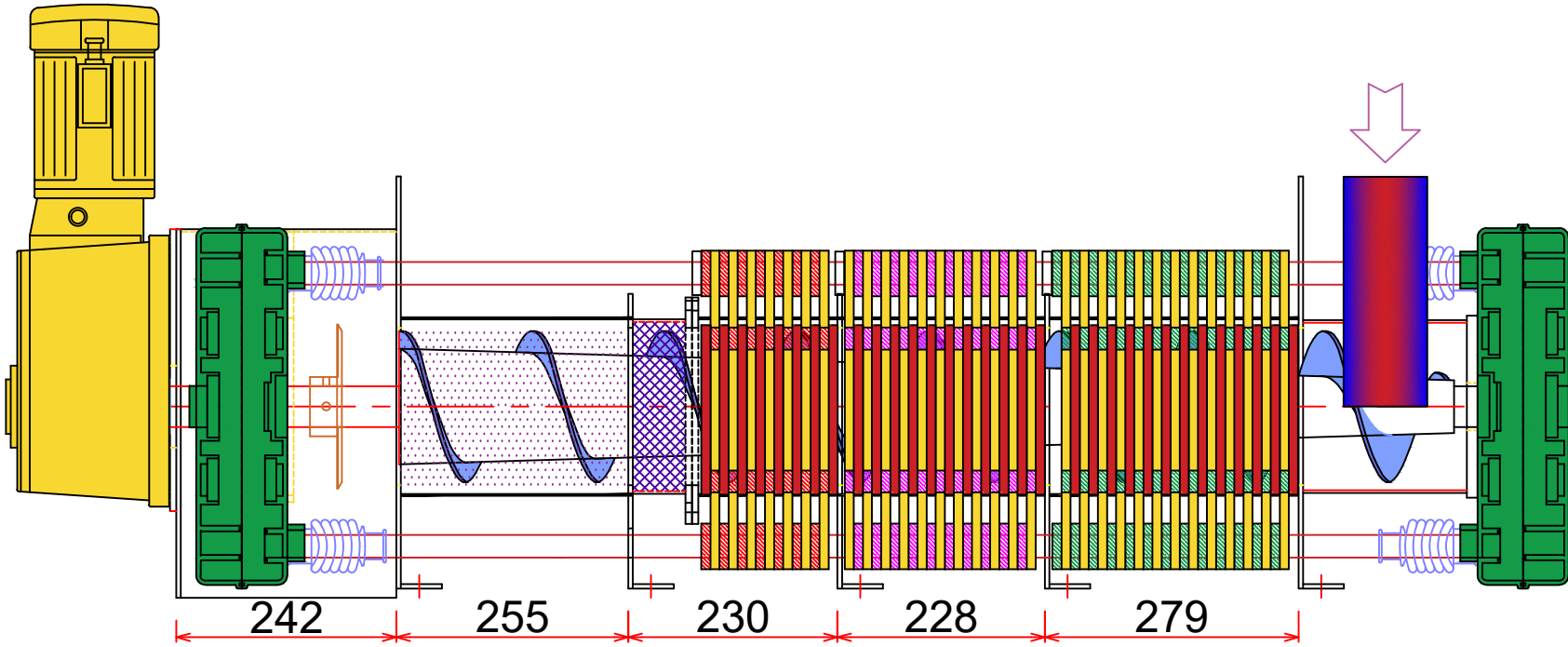
Designed By:	Drawing By:	Checker By:	Scale: None	Date:
Project: S-RT-202		Title: Assembly	Sheet:	
			Drawing No:	

Dewatering Machine Detail-S-RT-202

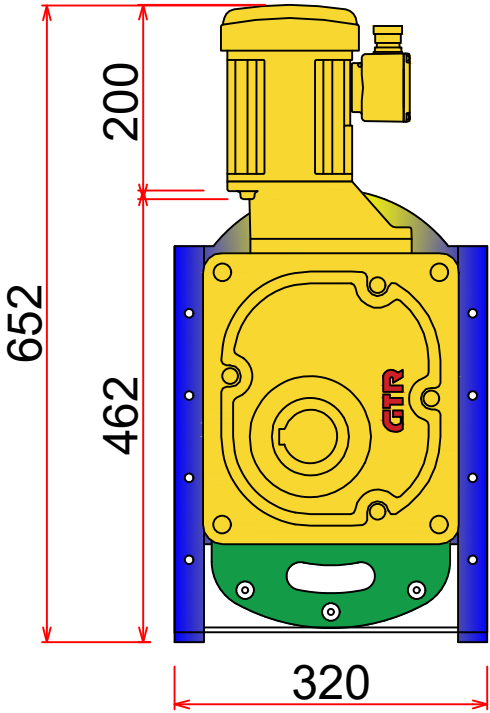
S-RT 202 TYPE



TOP VIEW



FRONT VIEW



LEFT VIEW

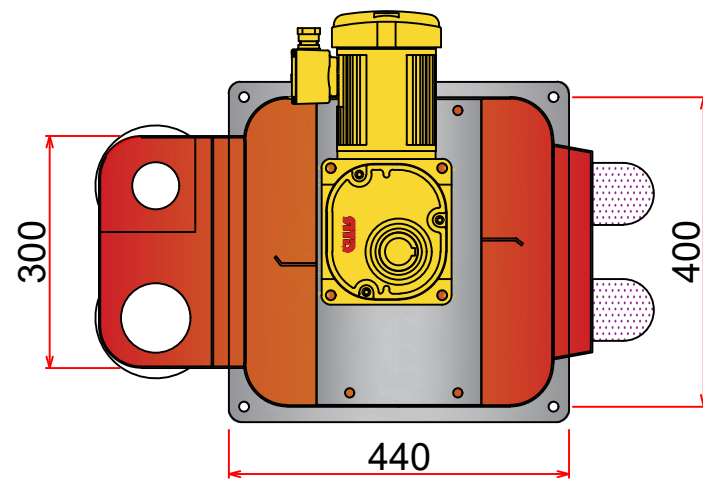
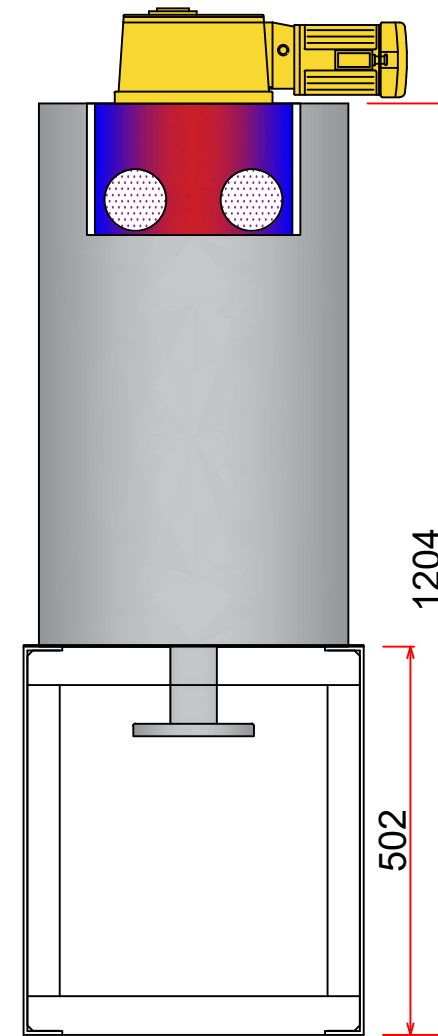
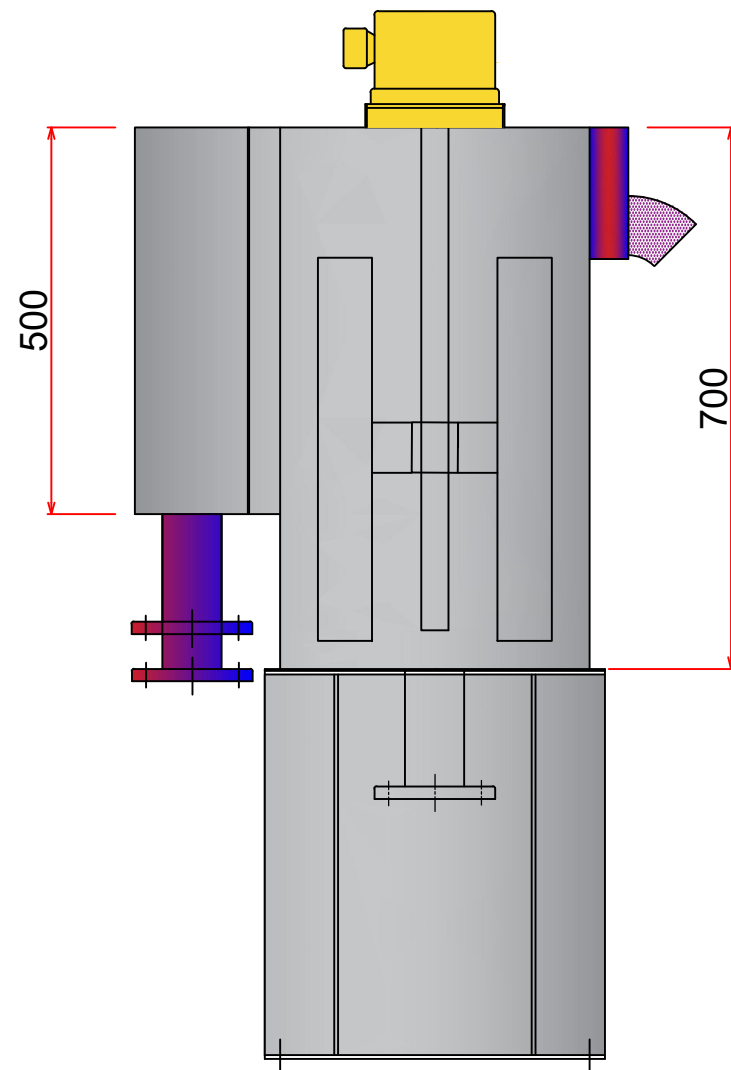


Add: 1 Dong 230-17, Eunhaengnamu-ro,
 Yanggam-myeon, Hwaseong-si,
 Gyeonggi-do, 18633, Korea
 Tell: +82 2561 9959

Designed By:	Drawing By:	Checker By:	Scale: None	Date:
Project: S-RT-202		Title: 200 Type Screw	Sheet:	
			Drawing No:	

Sludge Mixing Tank Detail-S-RT-202

S-RT 202 TYPE

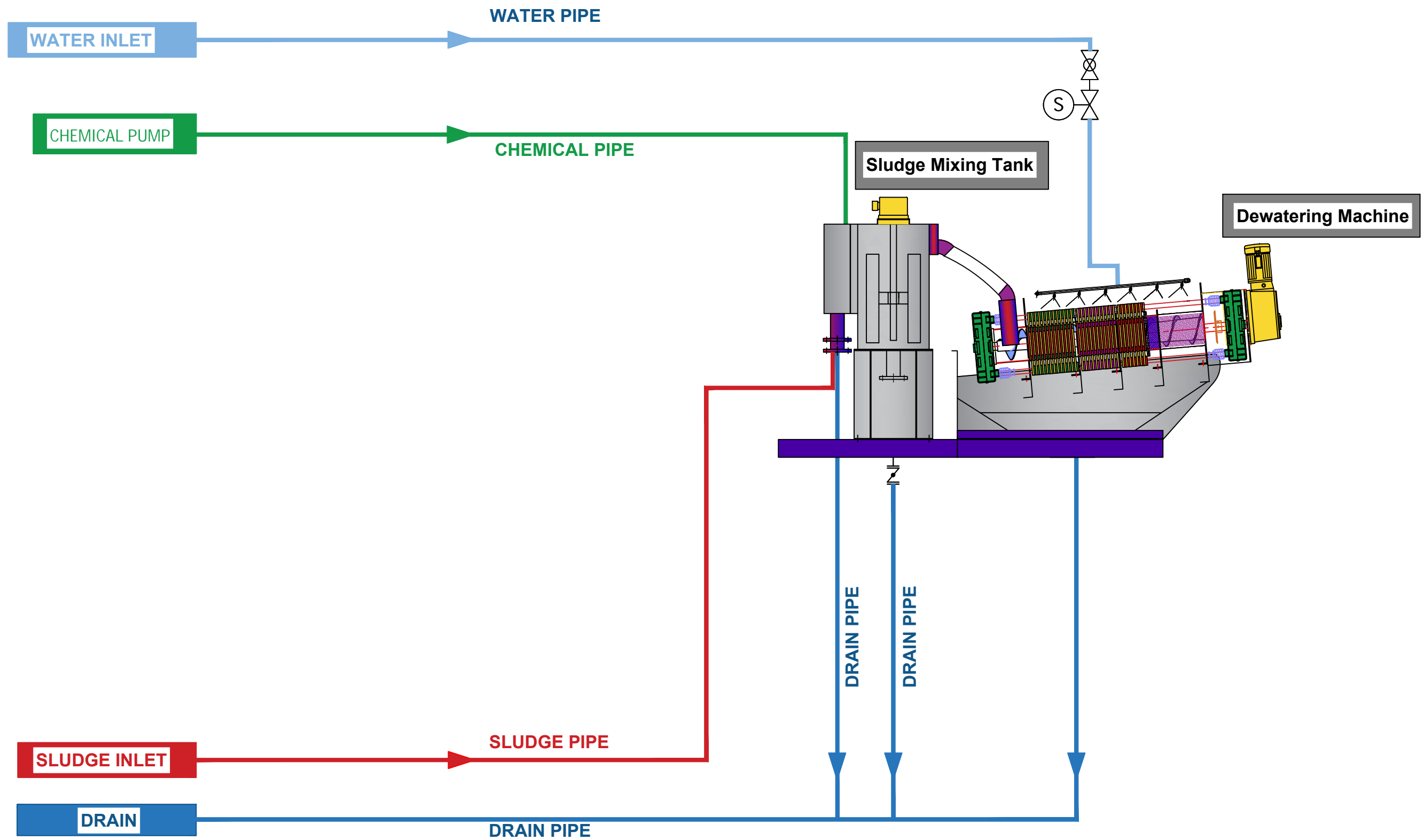


Add: 1 Dong 230-17, Eunhaengnamu-ro,
 Yanggam-myeon, Hwaseong-si,
 Gyeonggi-do, 18633, Korea
 Tell: +82 2561 9959

Designed By:	Drawing By:	Checker By:	Scale: None	Date:
Project: S-RT-202		Title: Sludge Mixing Tank	Sheet: Drawing No:	

P & ID

S-RT 202 TYPE



KOREA

Email: - Sludge21@Gmail.com

Add: 1 Dong 230-17, Eunhaengnamu-ro,
Yanggam-myeon, Hwaseong-si,
Gyeonggi-do, 18633, Korea

Tell: +82 2561 9959

Designed By:

Drawing By:

Checker By:

Scale:

None

Date:

Project:

S-RT-202

Title:

P& ID

Sheet:

Drawing No: