

S-RT 203 TYPE

LAPUTA - *Snake*

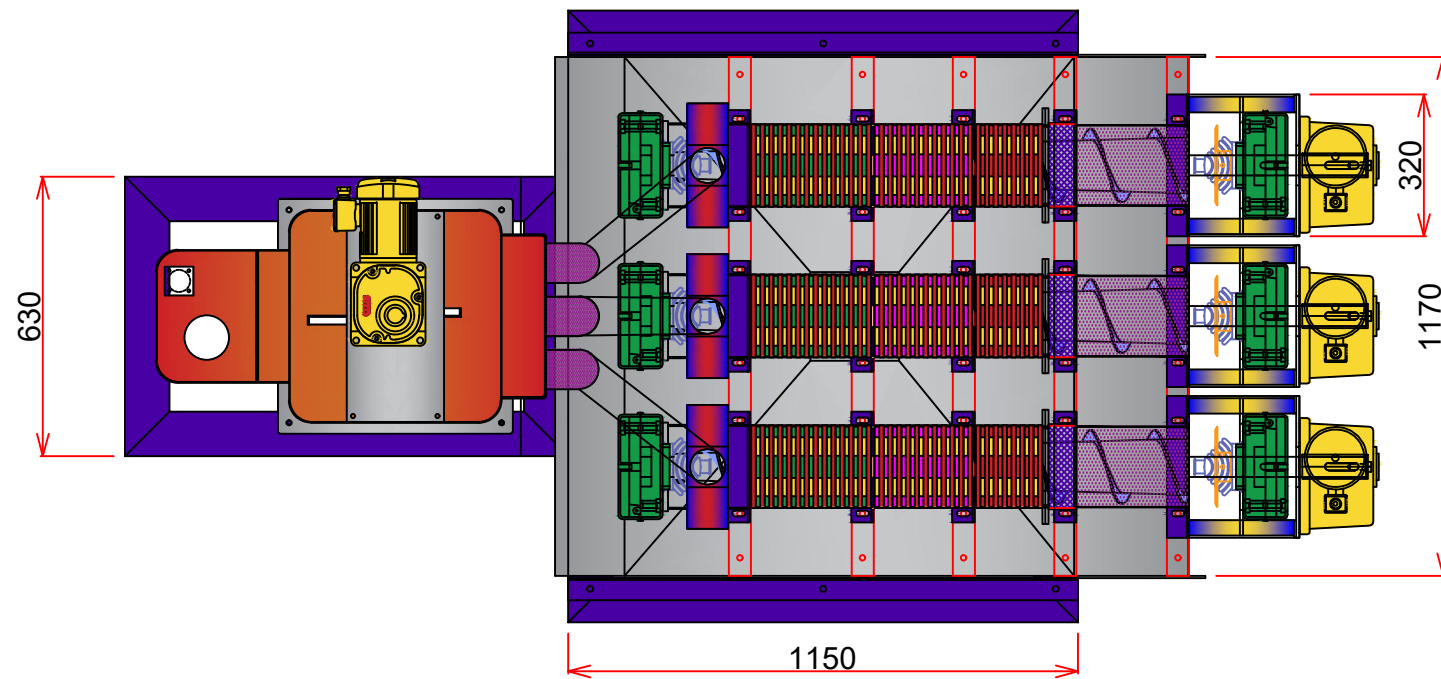
For clean Aqua
Perfect, Research for sludge
Pleasant Our World, Korea



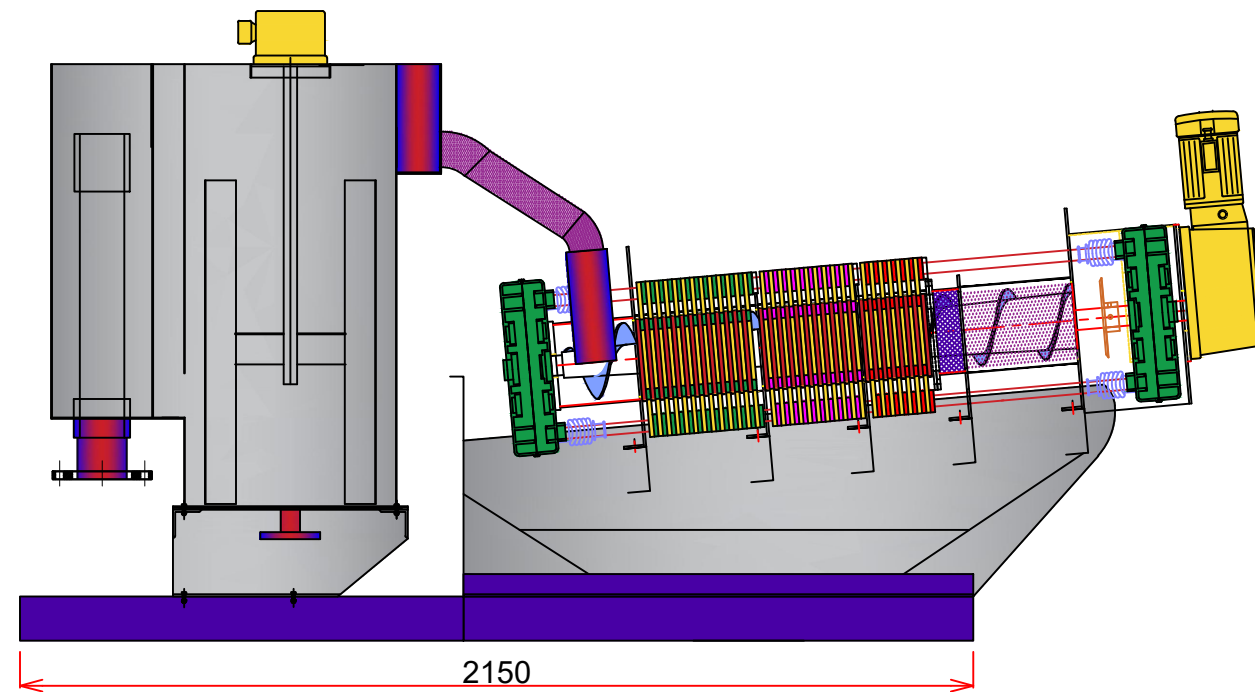
Multi-Disk type Screw press-S-RT-203

Dewatering Machine

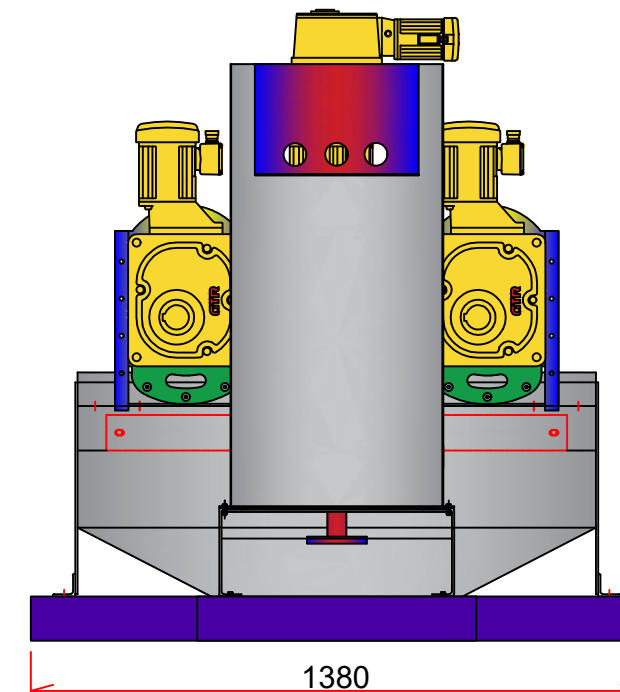
S-RT 203 TYPE



TOP VIEW



FRONT VIEW



LEFT VIEW

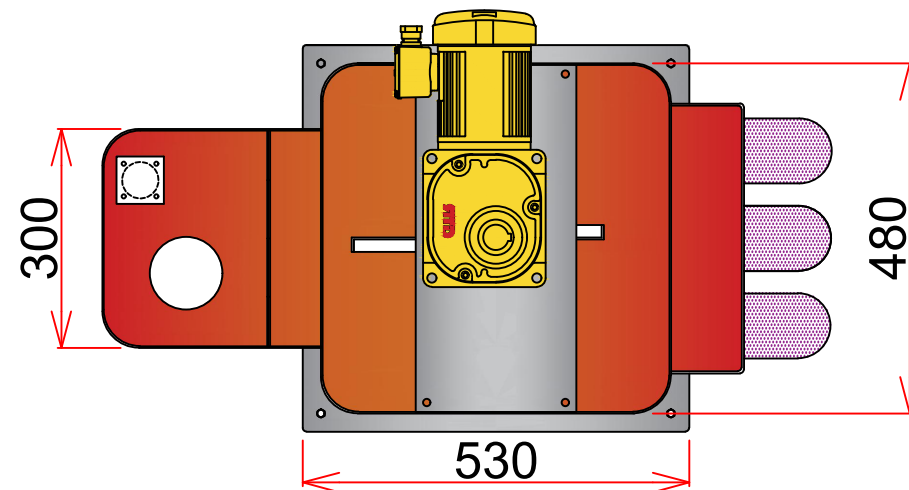
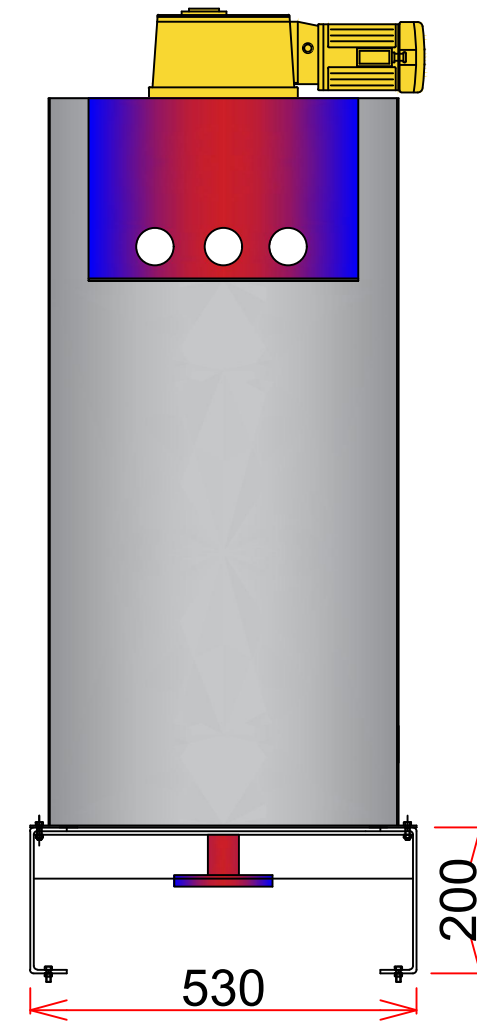
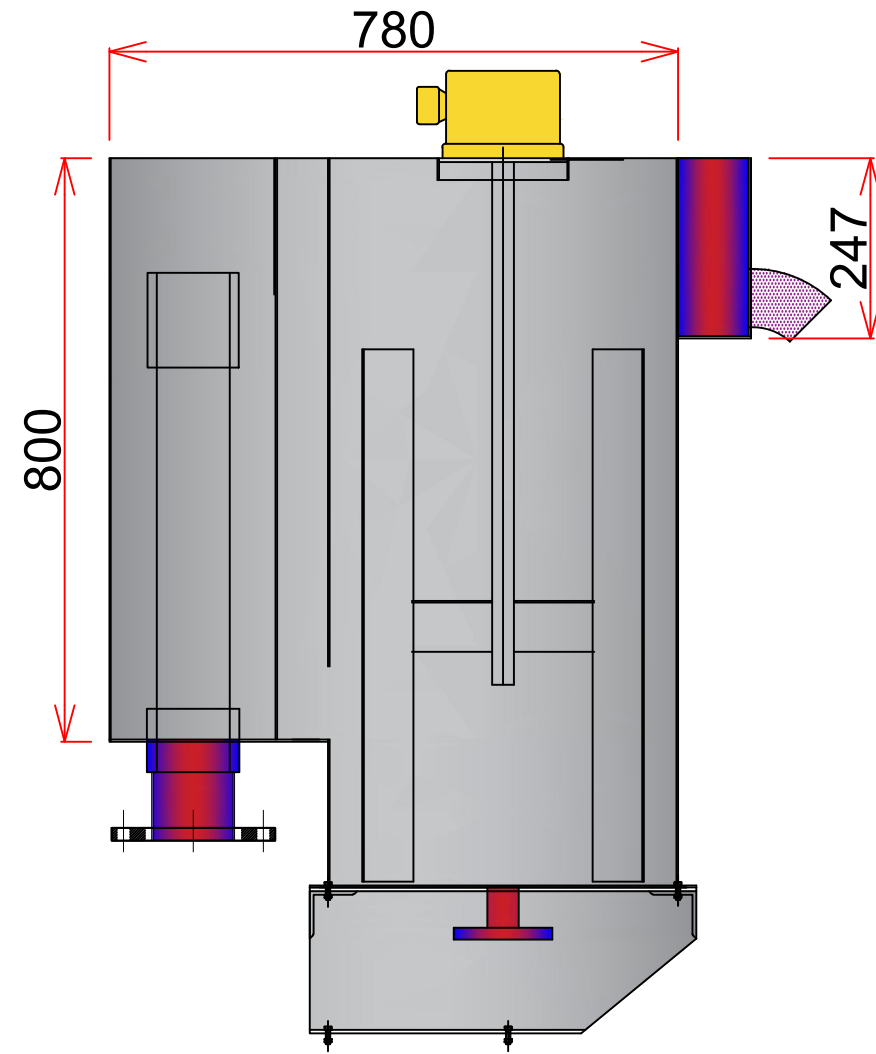


Add: 1 Dong 230-17, Eunhaengnamu-ro,
Yanggam-myeon, Hwaseong-si,
Gyeonggi-do, 18633, Korea
Tell: +82 2561 9959

Designed By:	Drawing By:	Checker By:	Scale: None	Date:
Project:	Title:		Sheet:	
S-RT-203	Assembly		Drawing No:	

Sludge Mixing Tank Detail-S-RT-203

S-RT 202 TYPE

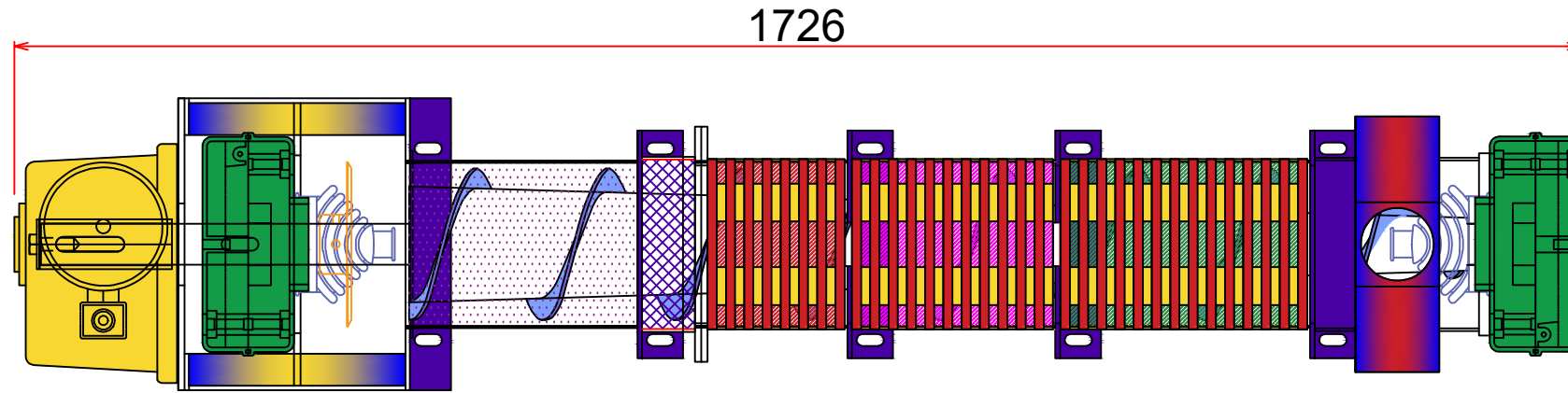


Add: 1 Dong 230-17, Eunhaengnamu-ro,
 Yanggam-myeon, Hwaseong-si,
 Gyeonggi-do, 18633, Korea
 Tell: +82 2561 9959

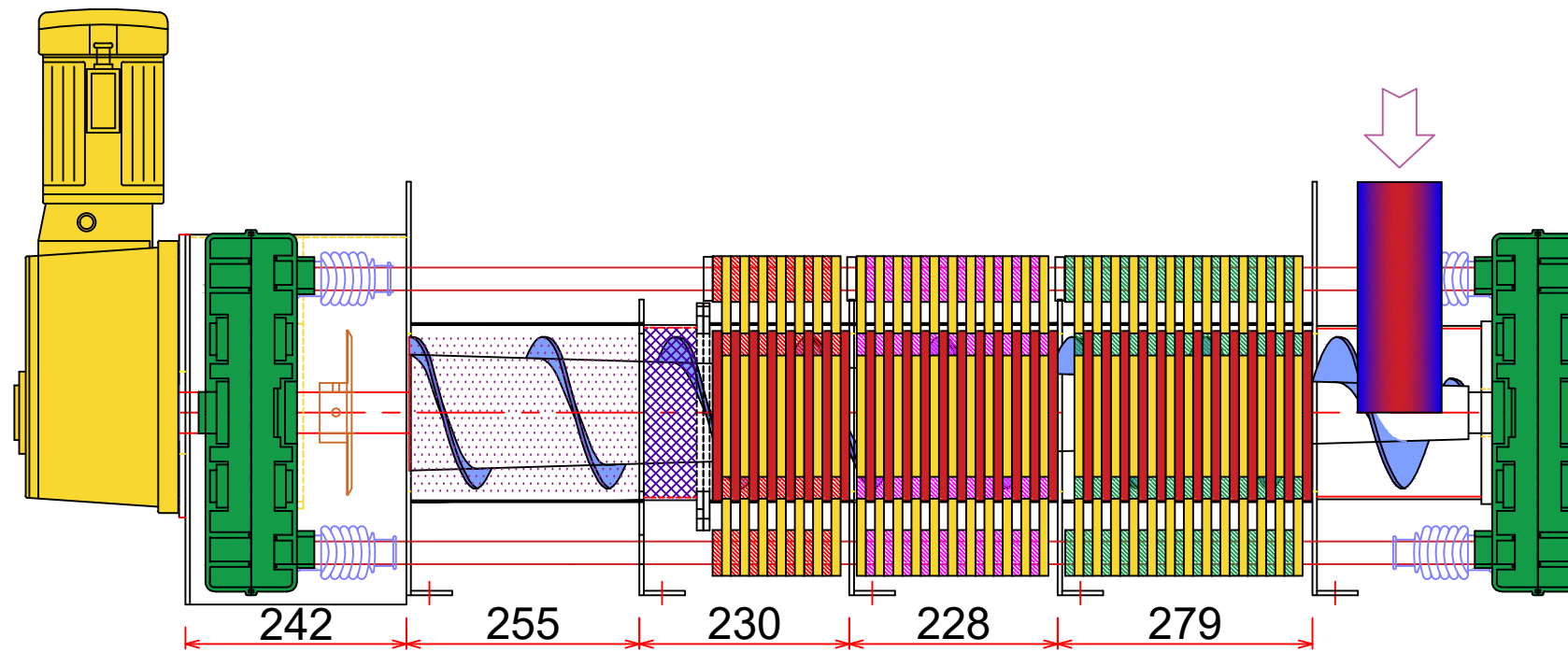
Designed By:	Drawing By:	Checker By:	Scale: None	Date:
Project: S-RT-203		Title: 200 Type Screw	Sheet: Drawing No:	

Dewatering Machine Detail-S-RT-203

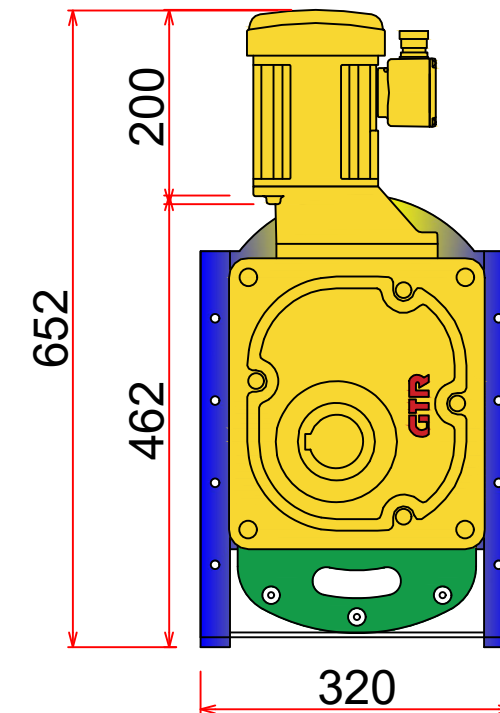
S-RT 203 TYPE



TOP VIEW



FRONT VIEW



LEFT VIEW

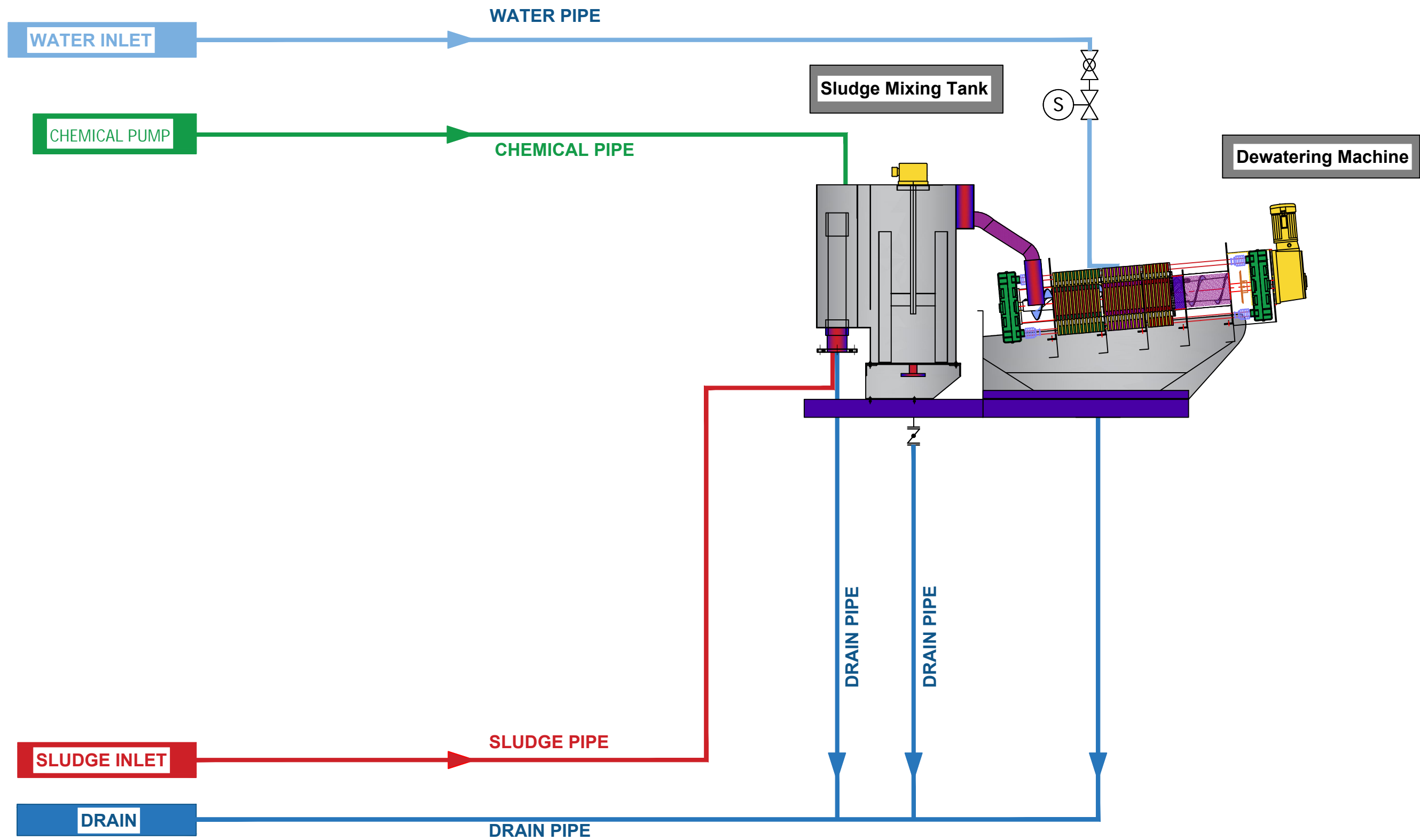


Add: 1 Dong 230-17, Eunhaengnamu-ro,
Yanggam-myeon, Hwaseong-si,
Gyeonggi-do, 18633, Korea
Tell: +82 2561 9959

Designed By:	Drawing By:	Checker By:	Scale: None	Date:
Project: S-RT-203		Title: 200 Type Screw	Sheet: Drawing No:	

P & ID

S-RT 203 TYPE



KOREA

Email: - Sludge21@Gmail.com

Add: 1 Dong 230-17, Eunhaengnamu-ro,
Yanggam-myeon, Hwaseong-si,
Gyeonggi-do, 18633, Korea

Tell: +82 2561 9959

Designed By:	Drawing By:	Checker By:	Scale: None	Date:
Project:	Title:		Sheet:	
S-RT-203	P& ID		Drawing No:	