

S-RT 403 TYPE

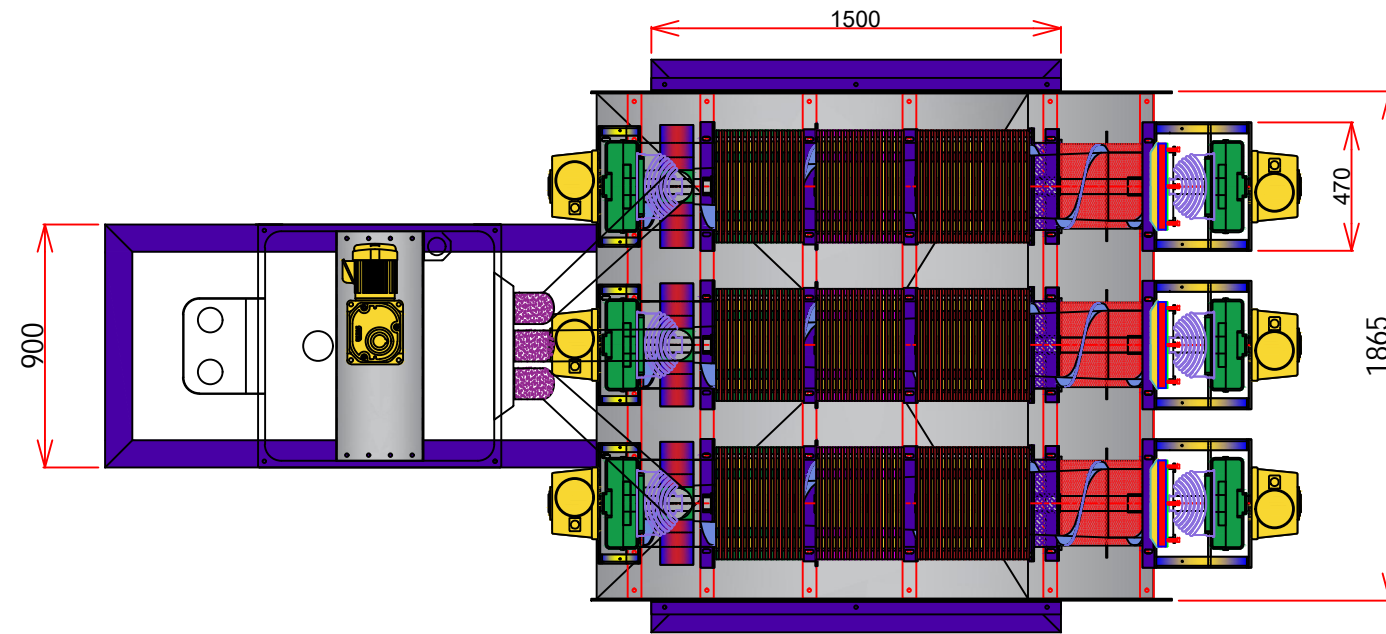
LAPUTA - *Snake*

For clean Aqua  
Perfect, Research for sludge  
Pleasant Our World, Korea

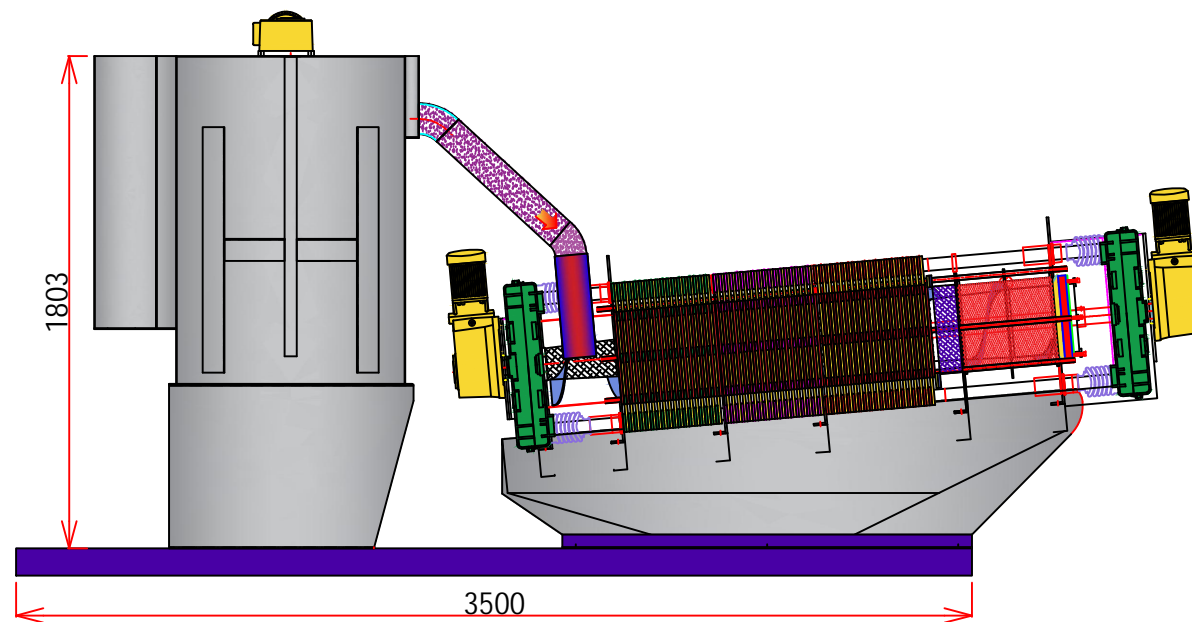


# Multi-Disk type Screw press-S-RT-403 Dewatering Machine

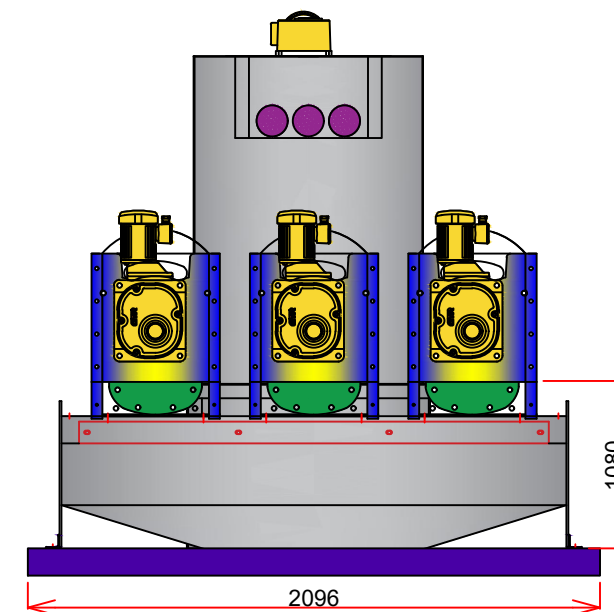
S-RT 403 TYPE



TOP VIEW



FRONT VIEW



SIDE VIEW



**KOREA**

Email: - Sludge21@Gmail.com

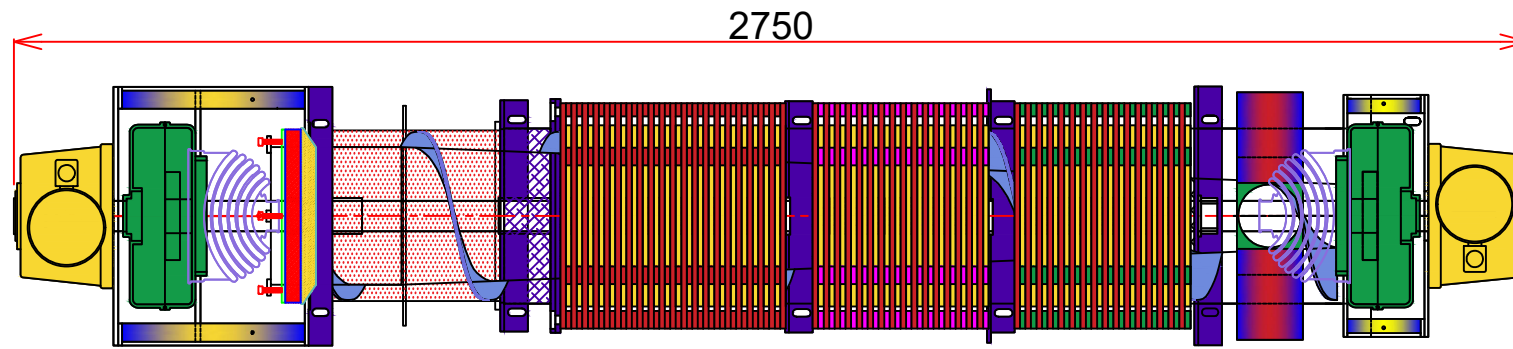
Add: 1 Dong 230-17, Eunhaengnamu-ro,  
Yanggam-myeon, Hwaseong-si,  
Gyeonggi-do, 18633, Korea

Tell: +82 2561 9959

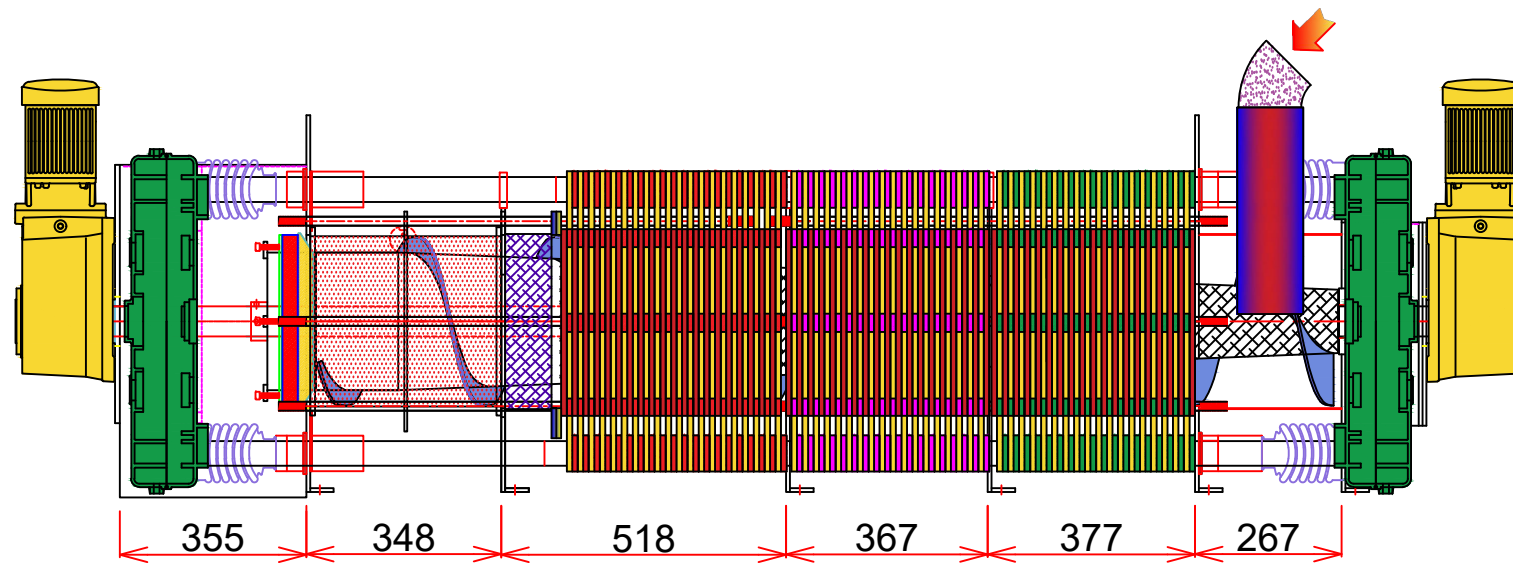
Designed By:	Drawing By:	Checker By:	Scale: None	Date:
Project: S-RT-403		Title: Assembly	Sheet:	
			Drawing No:	

# Dewatering Machine Detail-S-RT-403

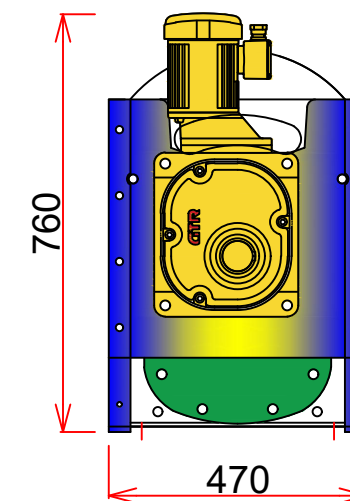
S-RT 403 TYPE



TOP VIEW



LEFT VIEW



FRONT VIEW



**KOREA**

Email: - Sludge21@Gmail.com

Add: 1 Dong 230-17, Eunhaengnamu-ro,  
Yanggam-myeon, Hwaseong-si,  
Gyeonggi-do, 18633, Korea

Tell: +82 2561 9959

Designed By:

Drawing By:

Checker By:

Scale:

None

Date:

Project:

S-RT-403

Title:

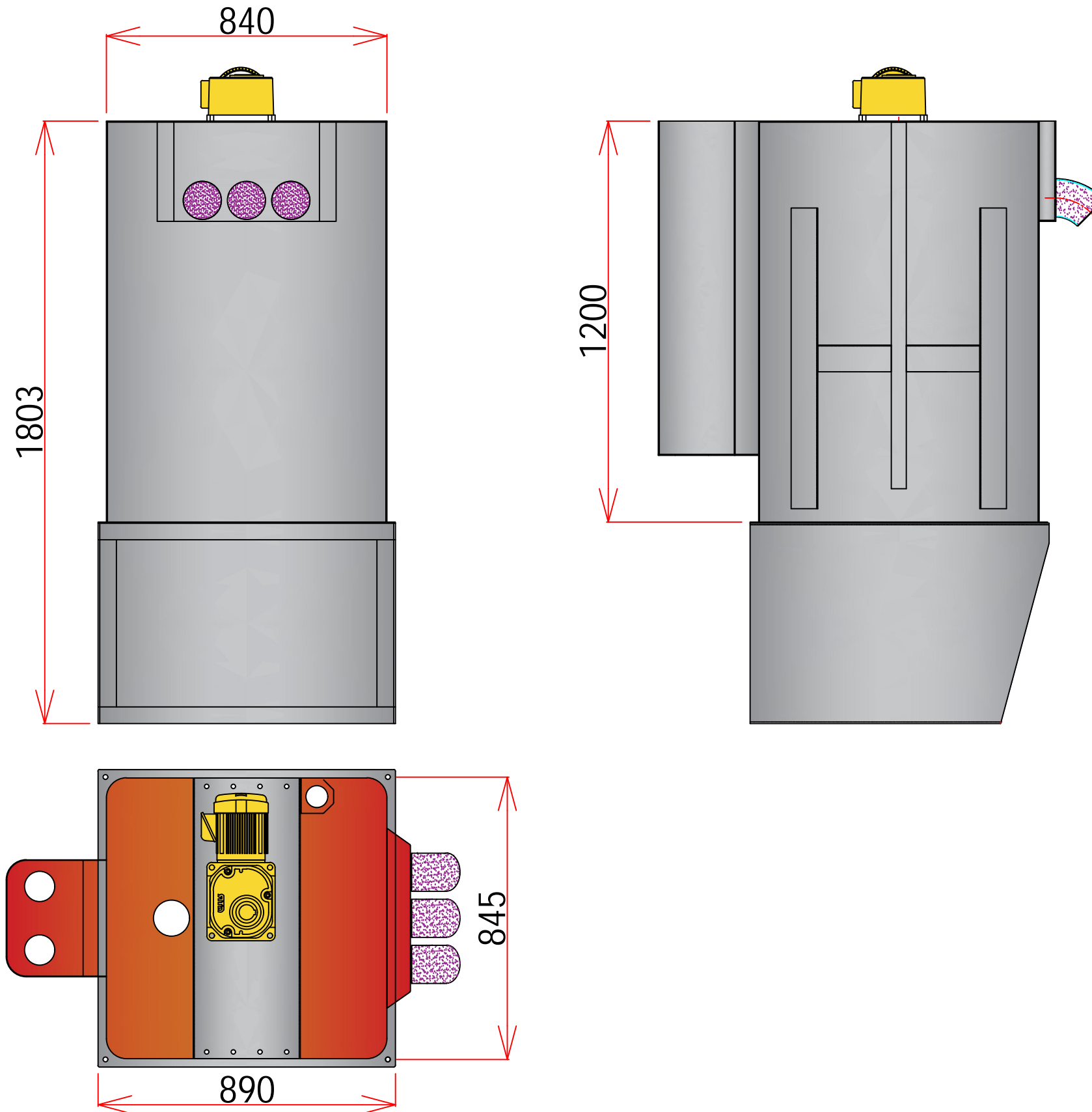
400 Type Screw

Sheet:

Drawing No:

# Sludge Mixing Tank Detail-S-RT-403

S-RT 403 TYPE

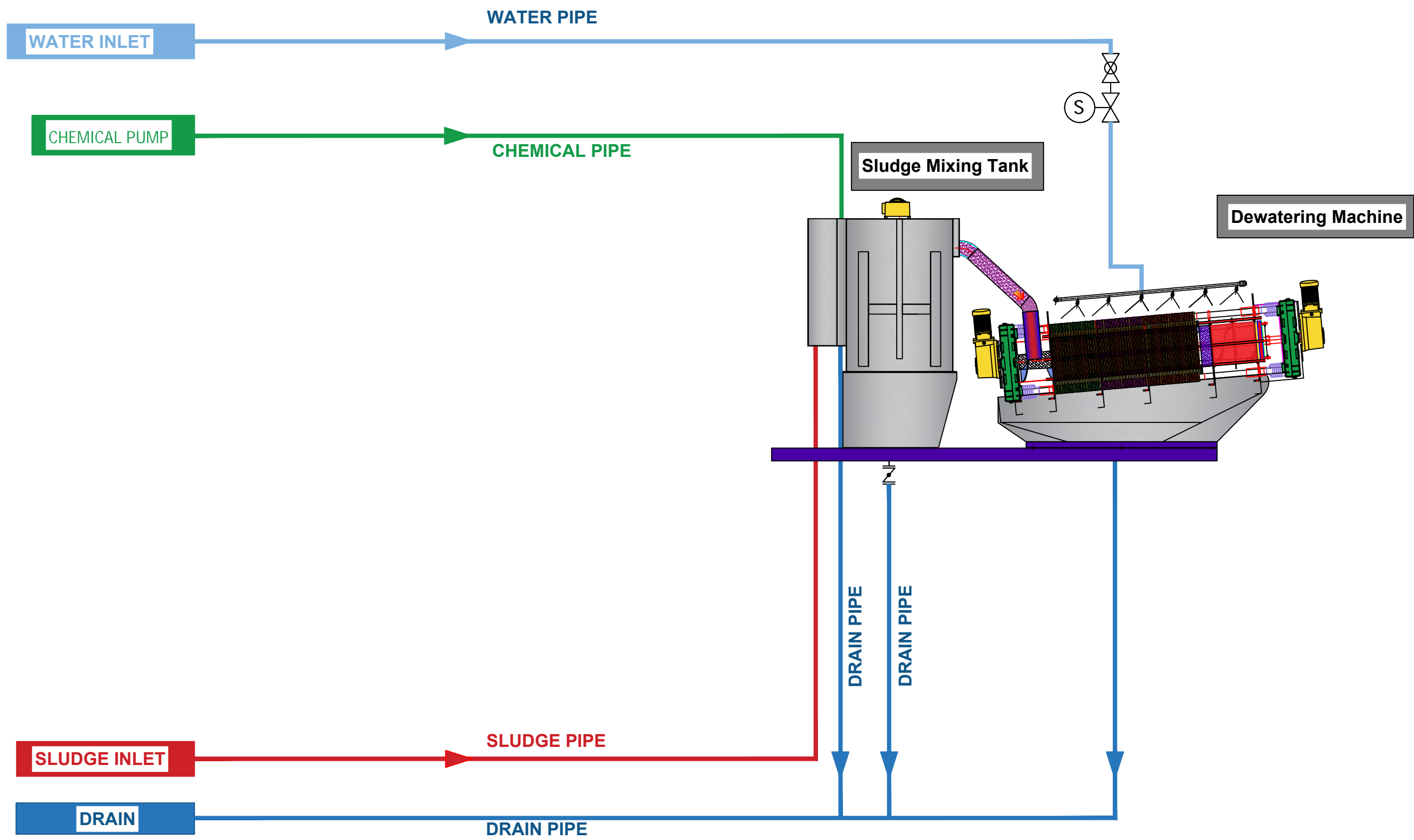


Add: 1 Dong 230-17, Eunhaengnamu-ro,  
 Yanggam-myeon, Hwaseong-si,  
 Gyeonggi-do, 18633, Korea  
 Tell: +82 2561 9959

Designed By:	Drawing By:	Checker By:	Scale: None	Date:
Project: S-RT-403		Title: Sludge Mixing Tank	Sheet: Drawing No:	

# P & ID

S-RT 403 TYPE



**KOREA**

Email: - [Sludge21@gmail.com](mailto:Sludge21@gmail.com)

Add: 1 Dong 230-17, Eunhaengnamu-ro,  
Yanggam-myeon, Hwaseong-si,  
Gyeonggi-do, 18633, Korea

Tell: +82 2561 9959

Designed By:	Drawing By:	Checker By:	Scale: None	Date:
Project:	S-RT-403	Title:	P& ID	Sheet:
				Drawing No: